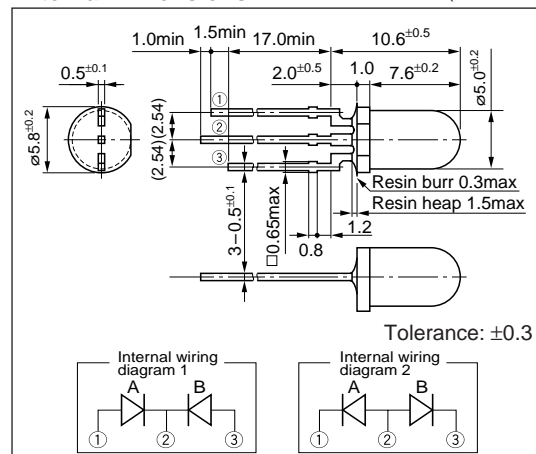


5 ϕ Round Standard Bicolor LED

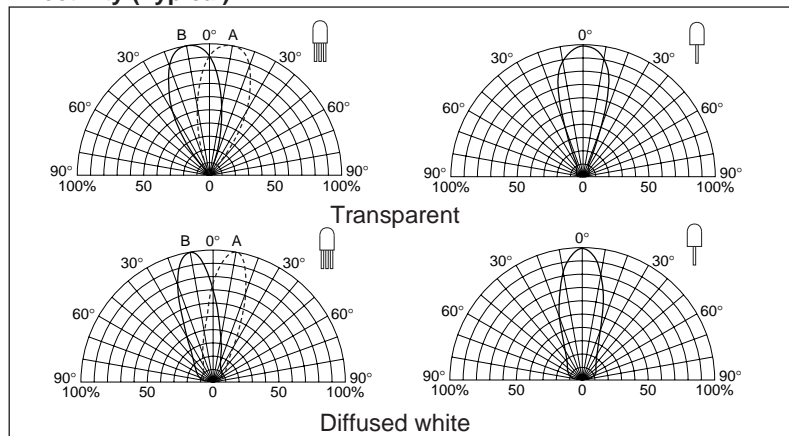
SML1016/10016 Series

External Dimensions

(Unit: mm)



Directivity (Typical)



Absolute maximum ratings (Ta=25°C)

Symbol	Unit	Rating	Condition
I _F	mA	30	
ΔI _F	mA/°C	-0.45	Above 25°C
I _{FP}	mA	100	f=1kHz, tw≤100μs
V _R	V	4	
Top	°C	-30 to +85	
Tstg	°C	-30 to +100	

Absolute maximum ratings (Ta=25°C)

● Common cathode (Internal wiring diagram 1)

Emitting color	Part Number	Lens color	Forward voltage			Reverse current		Intensity		Peak wavelength		Spectrum half width		Chip material
			V _F (V)		Condition	I _R (μA)	Condition	I _v (mcd)	Condition	λ _P (nm)	Condition	Δλ (nm)	Condition	
			typ	max	I _F (mA)	max	V _R (V)	typ	I _F (mA)	typ	I _F (mA)	typ	I _F (mA)	
A Deep red	SML11516C	Clear	2.0	2.5	10	10	4	15	20	700	10	100	10	GaP
B Pure green			2.0	2.5	10	10	4	50	20	555	10	20	10	GaP
A Deep red	SML1516W	Diffused white	2.0	2.5	10	10	4	6.0	20	700	10	100	10	GaP
B Pure green			2.0	2.5	10	10	4	20	20	555	10	20	10	GaP
A Red	SML1216C	Clear	1.9	2.5	10	10	4	65	20	630	10	35	10	GaAsP
B Green			2.0	2.5	10	10	4	90	20	560	10	20	10	GaP
A Red	SML1216W	Diffused white	1.9	2.5	10	10	4	60	20	630	10	35	10	GaAsP
B Green			2.0	2.5	10	10	4	60	20	560	10	20	10	GaP
A Amber	SML1816W	Diffused white	1.9	2.5	10	10	4	50	20	610	10	35	10	GaAsP
B Green			2.0	2.5	10	10	4	60	20	560	10	20	10	GaP
A Orange	SML19416W	Diffused white	1.9	2.5	10	10	4	45	20	587	10	33	10	GaAsP
B Green			2.0	2.5	10	10	4	60	20	560	10	20	10	GaP

● Common anode (Internal wiring diagram 2)

Emitting color	Part Number	Lens color	Forward voltage			Reverse current		Intensity		Peak wavelength		Spectrum half width		Chip material
			V _F (V)		Condition	I _R (μA)	Condition	I _v (mcd)	Condition	λ _P (nm)	Condition	Δλ (nm)	Condition	
			typ	max	I _F (mA)	max	V _R (V)	typ	I _F (mA)	typ	I _F (mA)	typ	I _F (mA)	
A High-intensity red	SML16716CN	Clear	1.7	2.2	10	10	4	100	20	660	10	30	10	GaAlAs
B Yellow			2.4	3.0	10	10	4	140	20	570	10	30	10	GaP
A High-intensity red	SML16716WN	Diffused white	1.7	2.2	10	10	4	50	20	660	10	30	10	GaAlAs
B Yellow			2.4	3.0	10	10	4	70	20	570	10	30	10	GaP