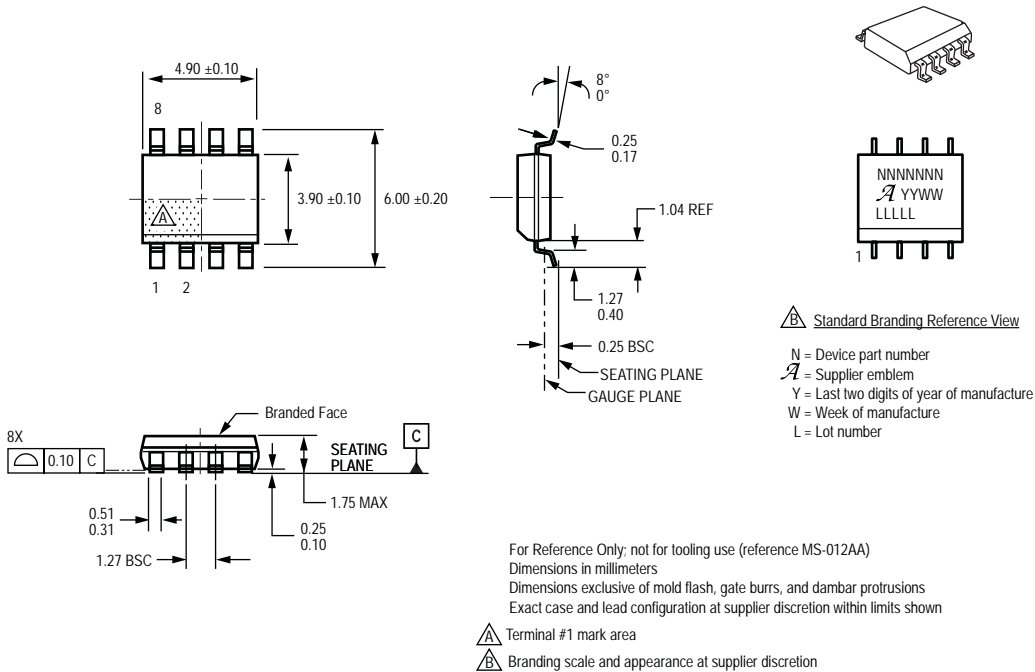
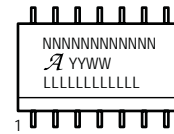
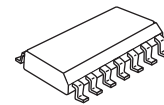
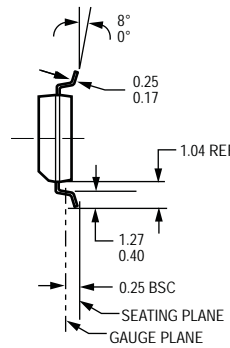
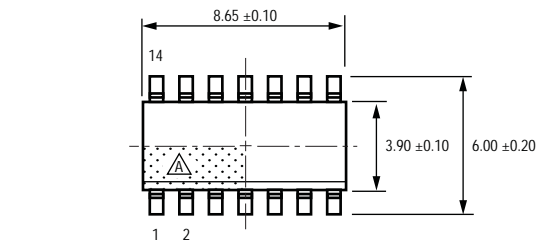


**Designator: L**  
**Type: 8-pin, narrow SOIC**

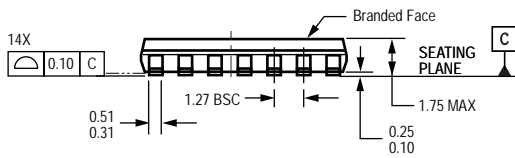


**Designator: L**  
**Type: 14-pin, narrow SOIC**





 Standard Branding Reference View

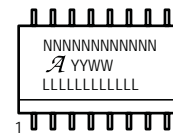
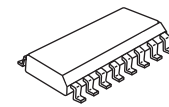
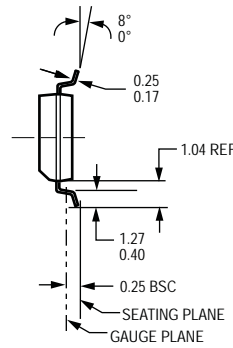
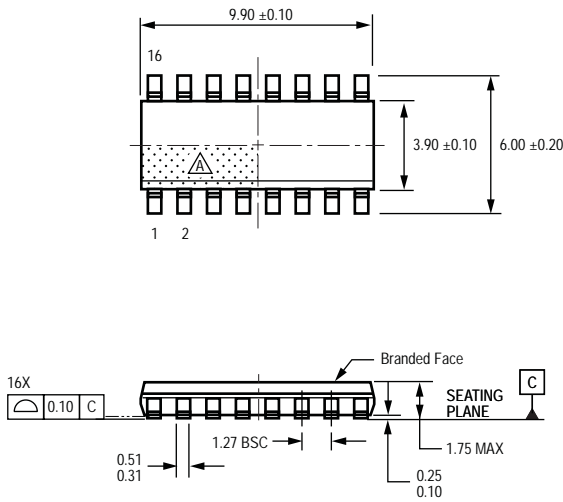
N = Device part number  
 A = Supplier emblem  
 Y = Last two digits of year of manufacture  
 W = Week of manufacture  
 L = Lot number



For Reference Only; not for tooling use (reference MS-012AB)  
 Dimensions in millimeters  
 Dimensions exclusive of mold flash, gate burrs, and dambar protrusions  
 Exact case and lead configuration at supplier discretion within limits shown

-  Terminal #1 mark area
-  Branding scale and appearance at supplier discretion

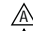

**Designator: L**  
**Type: 16-pin, narrow SOIC**



 Standard Branding Reference View

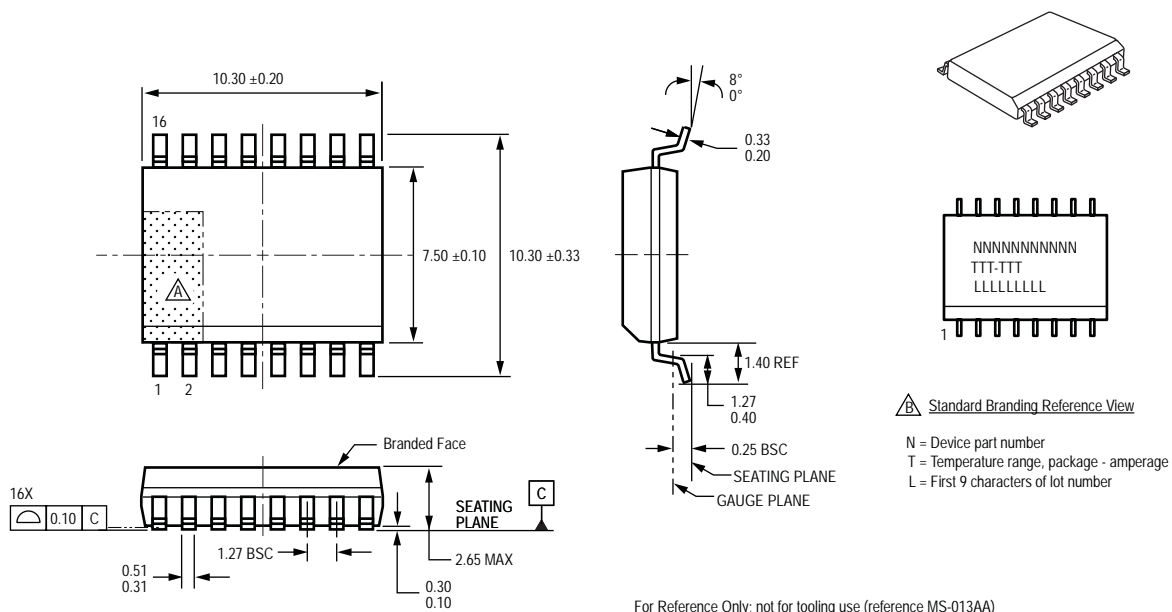
N = Device part number  
 A = Supplier emblem  
 Y = Last two digits of year of manufacture  
 W = Week of manufacture  
 L = Lot number

For Reference Only; not for tooling use (reference MS-012AC)  
 Dimensions in millimeters  
 Dimensions exclusive of mold flash, gate burrs, and dambar protrusions  
 Exact case and lead configuration at supplier discretion within limits shown

-  Terminal #1 mark area
-  Branding scale and appearance at supplier discretion

## Designator: LA



### Type: Wide SOIC with internally fused pins for current sensing path



 Standard Branding Reference View

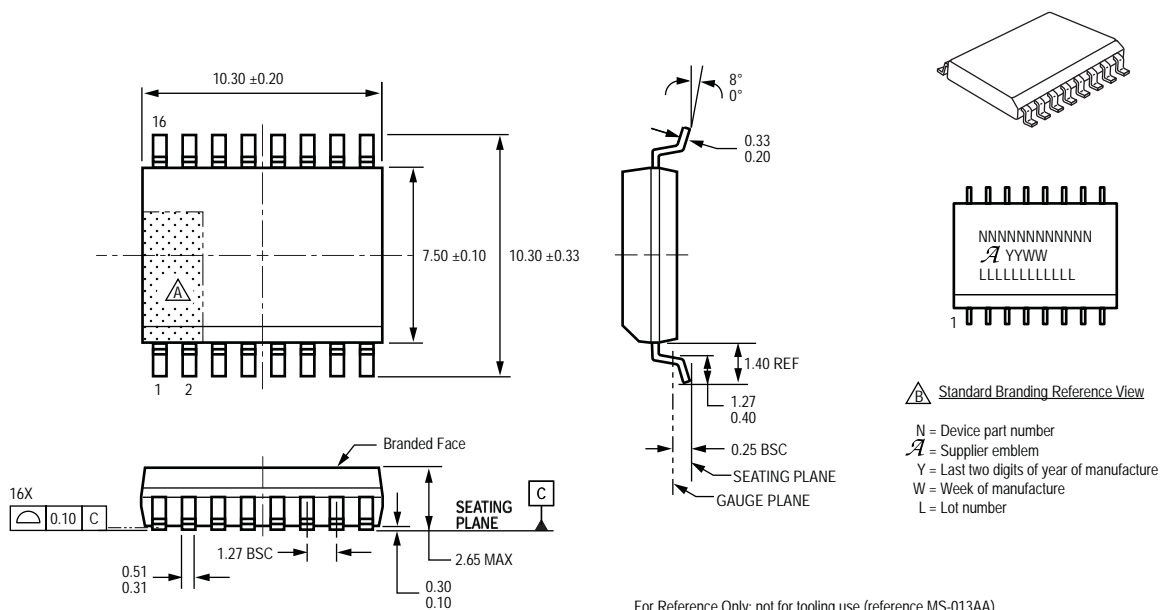
N = Device part number  
 T = Temperature range, package - amperage  
 L = First 9 characters of lot number

For Reference Only; not for tooling use (reference MS-013AA)  
 Dimensions in millimeters  
 Dimensions exclusive of mold flash, gate burrs, and dambar protrusions  
 Exact case and lead configuration at supplier discretion within limits shown

-  Terminal #1 mark area
-  Branding scale and appearance at supplier discretion

## Designator: LB



Type: 16-pin, wide SOIC with internally fused pins for thermal dissipation



**Standard Branding Reference View**

N = Device part number  
A = Supplier emblem  
Y = Last two digits of year of manufacture  
W = Week of manufacture  
L = Lot number

For Reference Only; not for tooling use (reference MS-013AA)  
Dimensions in millimeters  
Dimensions exclusive of mold flash, gate burrs, and dambar protrusions  
Exact case and lead configuration at supplier discretion within limits shown

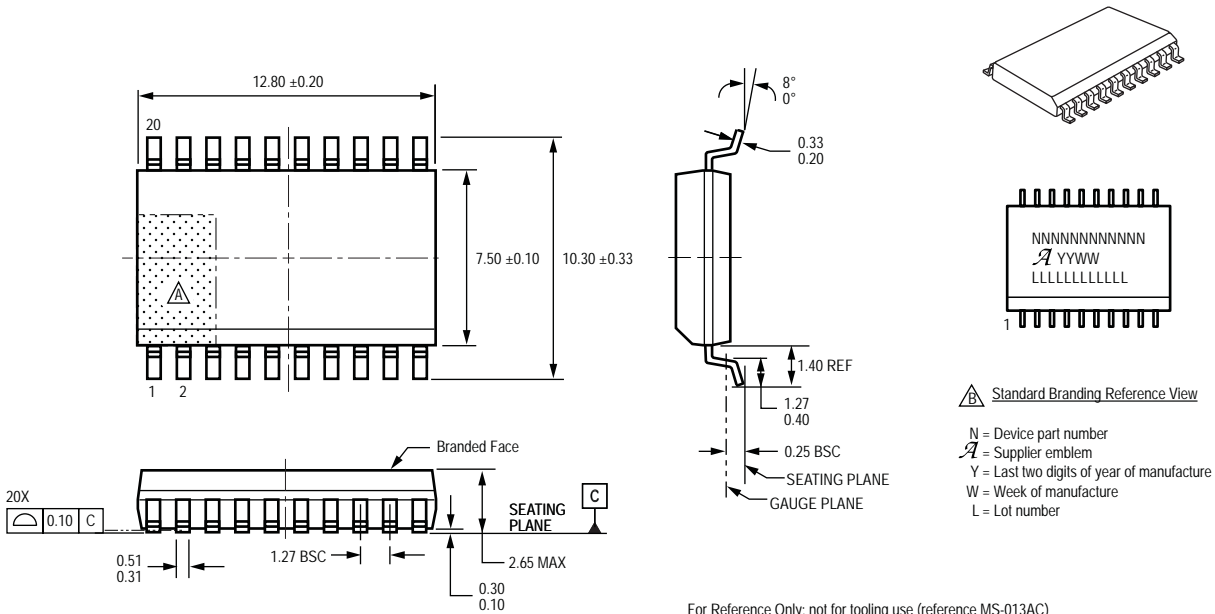
-  Terminal #1 mark area
-  Branding scale and appearance at supplier discretion

**Internal configuration of fused pins is device-dependent**

Copyright ©2009-2010, Allegro MicroSystems, Inc. Drawings are for reference only; not for tooling use. Allegro MicroSystems, Inc. reserves the right to make, from time to time, such departures from the detail specifications as may be required to permit improvements in the performance, reliability, or manufacturability of its products. Before placing an order, the user is cautioned to verify that the information being relied upon is current. The information included herein is believed to be accurate and reliable. However, Allegro MicroSystems, Inc. assumes no responsibility for its use; nor for any infringement of patents or other rights of third parties which may result from its use.

## Designator: LB



Type: 20-pin, wide SOIC with internally fused pins for thermal dissipation



 Standard Branding Reference View

N = Device part number  
 A = Supplier emblem  
 Y = Last two digits of year of manufacture  
 W = Week of manufacture  
 L = Lot number

For Reference Only; not for tooling use (reference MS-013AC)  
 Dimensions in millimeters  
 Dimensions exclusive of mold flash, gate burrs, and dambar protrusions  
 Exact case and lead configuration at supplier discretion within limits shown

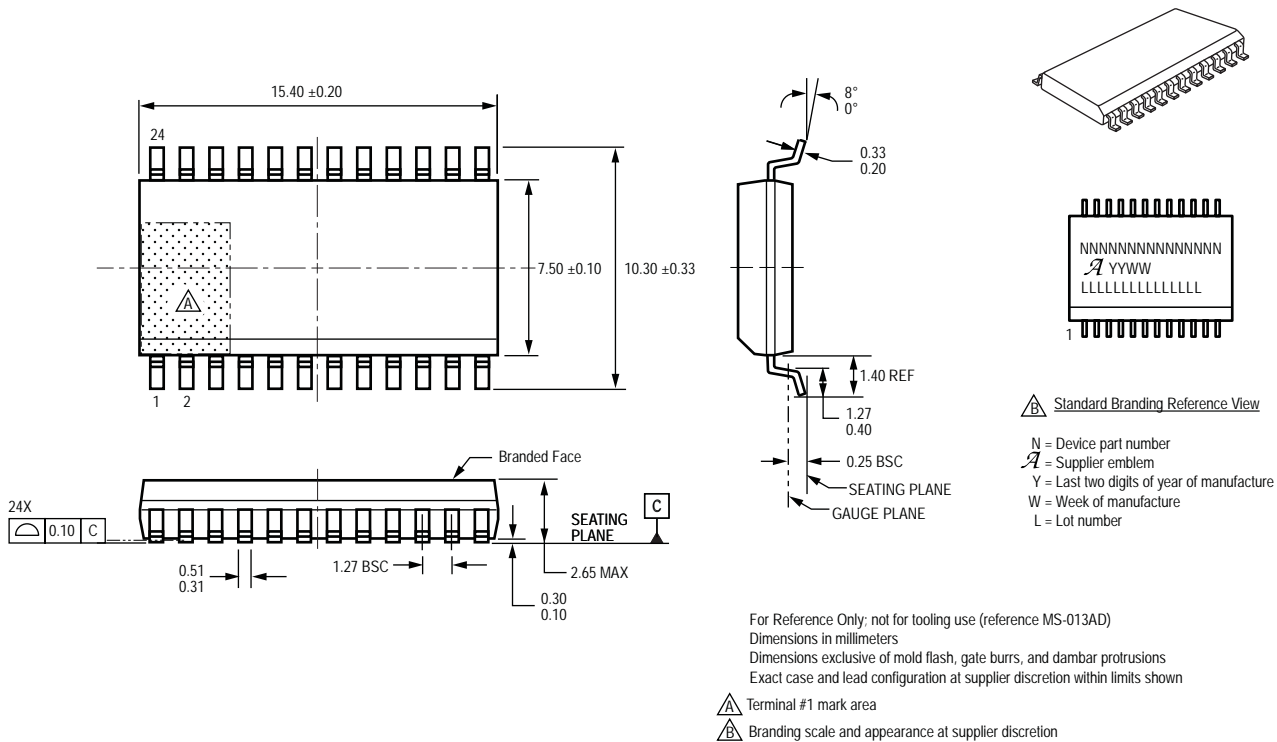
-  Terminal #1 mark area
-  Branding scale and appearance at supplier discretion

**Internal configuration of fused pins is device-dependent**

Copyright ©2009-2010, Allegro MicroSystems, Inc. Drawings are for reference only; not for tooling use. Allegro MicroSystems, Inc. reserves the right to make, from time to time, such departures from the detail specifications as may be required to permit improvements in the performance, reliability, or manufacturability of its products. Before placing an order, the user is cautioned to verify that the information being relied upon is current. The information included herein is believed to be accurate and reliable. However, Allegro MicroSystems, Inc. assumes no responsibility for its use; nor for any infringement of patents or other rights of third parties which may result from its use.

## Designator: LB

Type: 24-pin, wide SOIC with internally fused pins for thermal dissipation

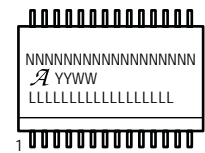
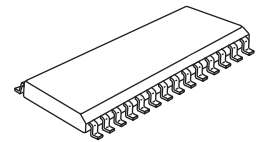
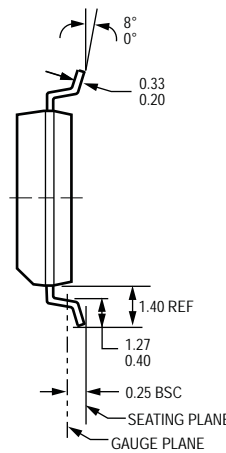
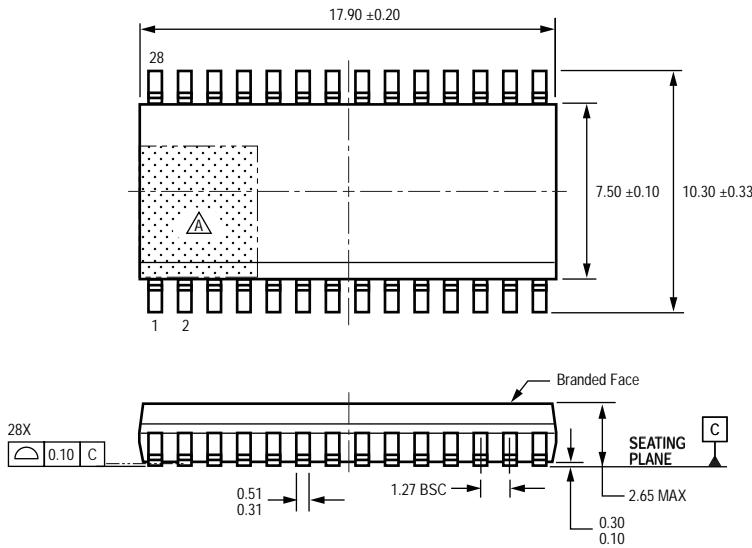


**Internal configuration of fused pins is device-dependent**

Copyright ©2009-2010, Allegro MicroSystems, Inc. Drawings are for reference only; not for tooling use. Allegro MicroSystems, Inc. reserves the right to make, from time to time, such departures from the detail specifications as may be required to permit improvements in the performance, reliability, or manufacturability of its products. Before placing an order, the user is cautioned to verify that the information being relied upon is current. The information included herein is believed to be accurate and reliable. However, Allegro MicroSystems, Inc. assumes no responsibility for its use; nor for any infringement of patents or other rights of third parties which may result from its use.



## Designator: LB

Type: 28-pin, wide SOIC with internally fused pins for thermal dissipation



Standard Branding Reference View  
 N = Device part number  
 A = Supplier emblem  
 Y = Last two digits of year of manufacture  
 W = Week of manufacture  
 L = Lot number

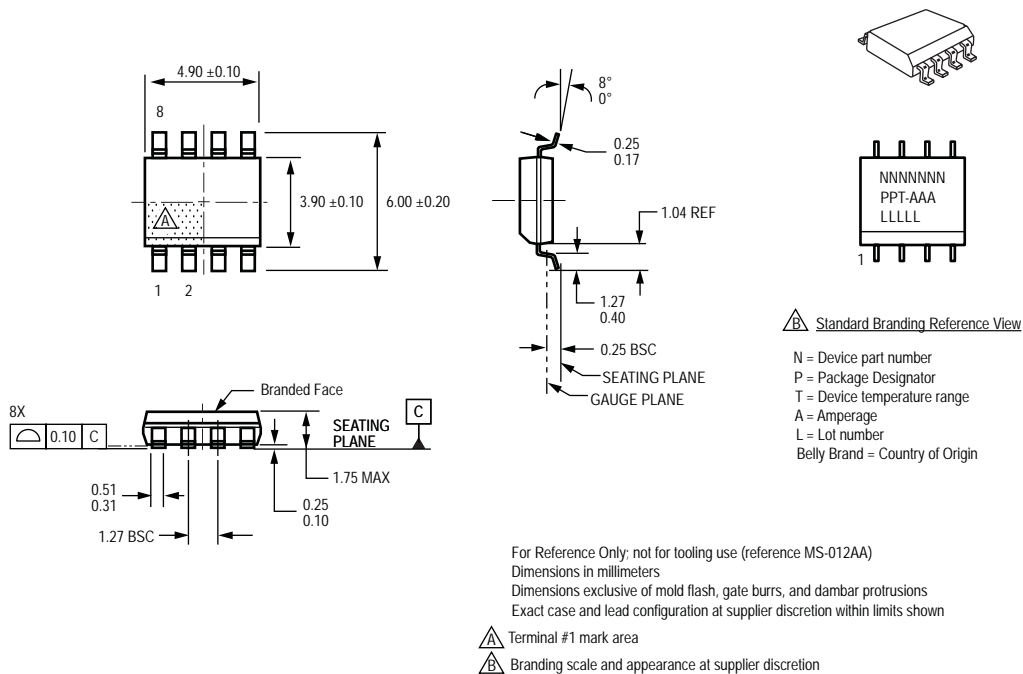
For Reference Only; not for tooling use (reference MS-013AE)  
 Dimensions in millimeters  
 Dimensions exclusive of mold flash, gate burrs, and dambar protrusions  
 Exact case and lead configuration at supplier discretion within limits shown

-  Terminal #1 mark area
-  Branding scale and appearance at supplier discretion

**Internal configuration of fused pins is device-dependent**

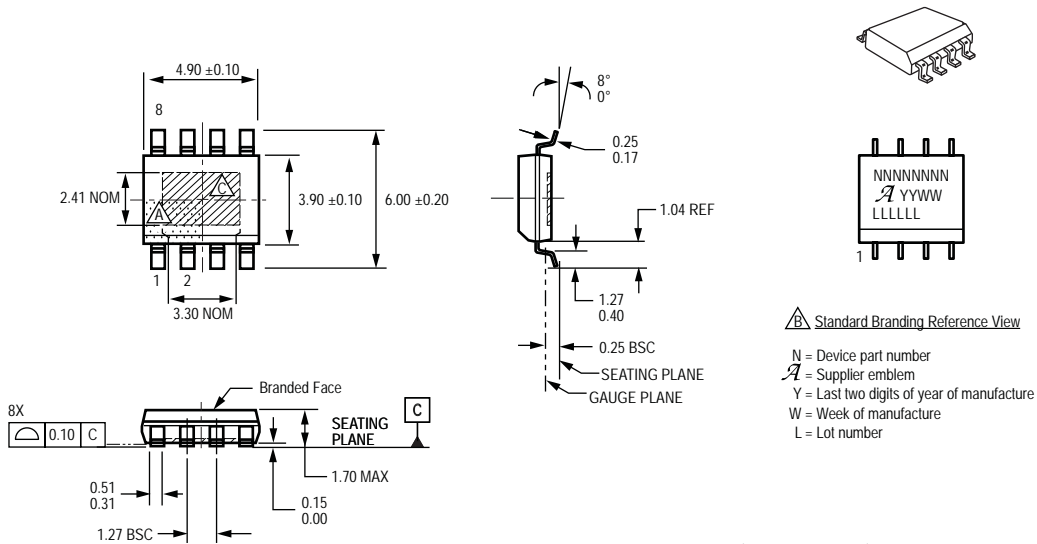
## Designator: LC

Type: Narrow SOIC with internally fused pins for current sensing path






*Designator: LJ*

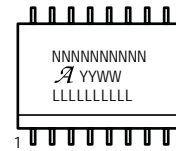
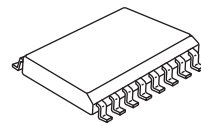
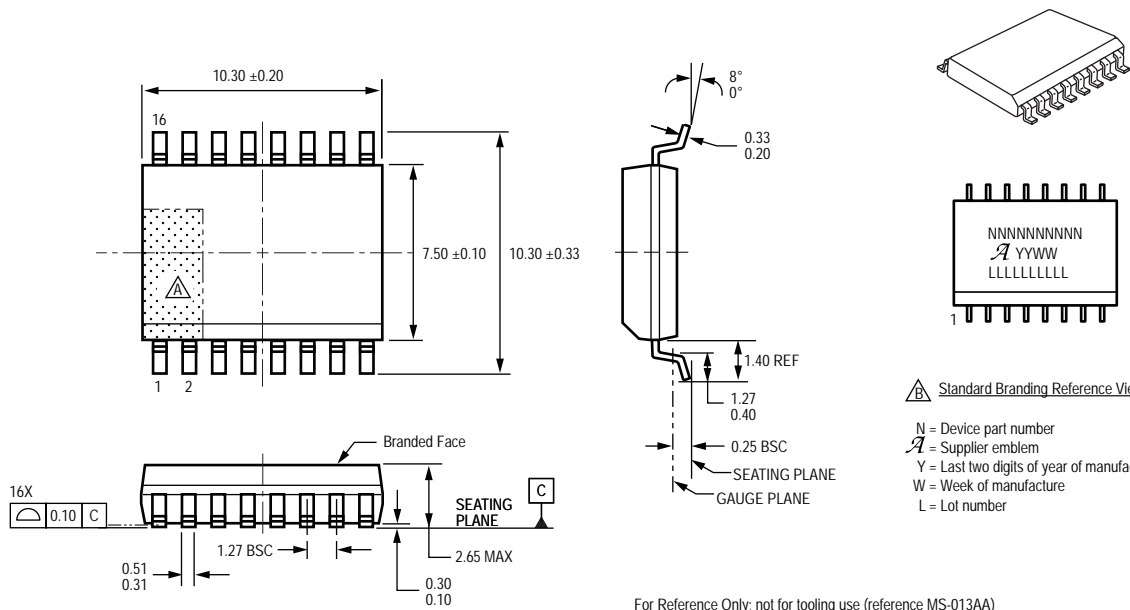
Type: Narrow SOIC with exposed thermal pad



For Reference Only; not for tooling use (reference MS-012BA)  
 Dimensions in millimeters  
 Dimensions exclusive of mold flash, gate burrs, and dambar protrusions  
 Exact case and lead configuration at supplier discretion within limits shown

-  Terminal #1 mark area
-  Branding scale and appearance at supplier discretion
-  Exposed thermal pad (bottom surface); dimensions may vary with device


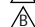
## Designator: LW Type: 16-pin, wide SOIC



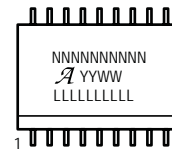
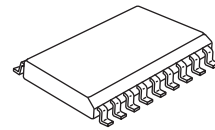
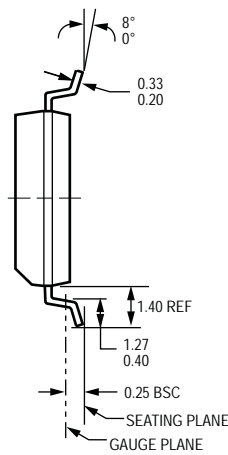
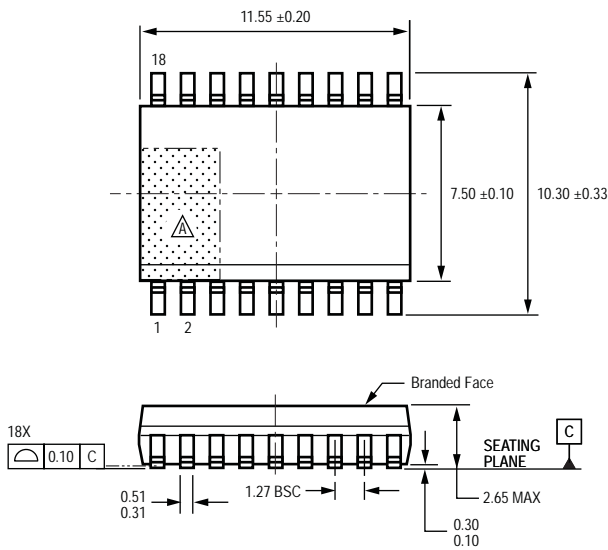
 Standard Branding Reference View

N = Device part number  
*A* = Supplier emblem  
 Y = Last two digits of year of manufacture  
 W = Week of manufacture  
 L = Lot number

For Reference Only: not for tooling use (reference MS-013AA)  
 Dimensions in millimeters  
 Dimensions exclusive of mold flash, gate burrs, and dambar protrusions  
 Exact case and lead configuration at supplier discretion within limits shown

-  Terminal #1 mark area
-  Branding scale and appearance at supplier discretion



## Designator: LW Type: 18-pin, wide SOIC



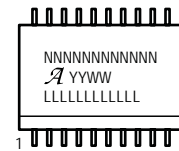
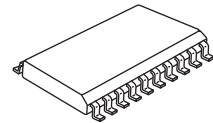
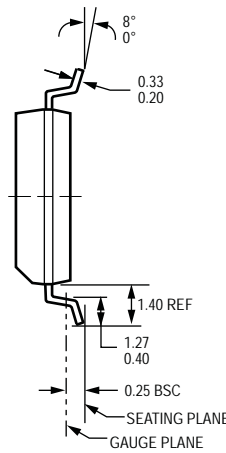
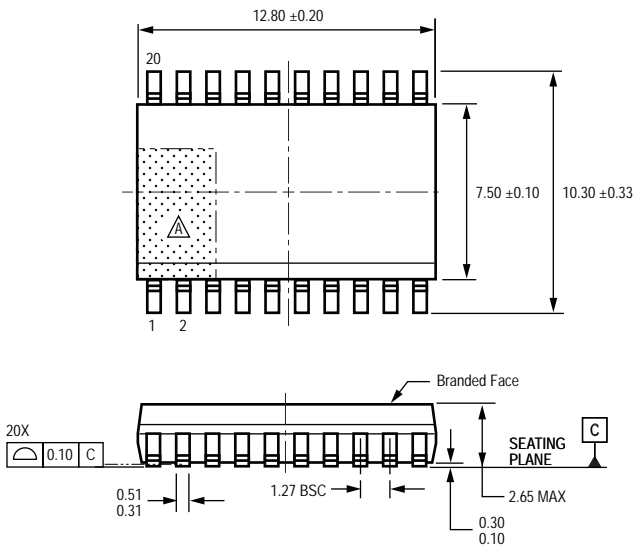
**Standard Branding Reference View**

N = Device part number  
 A = Supplier emblem  
 Y = Last two digits of year of manufacture  
 W = Week of manufacture  
 L = Lot number

For Reference Only; not for tooling use (reference MS-013AB)  
 Dimensions in millimeters  
 Dimensions exclusive of mold flash, gate burrs, and dambar protrusions  
 Exact case and lead configuration at supplier discretion within limits shown

-  Terminal #1 mark area
-  Branding scale and appearance at supplier discretion



## Designator: LW Type: 20-pin, wide SOIC



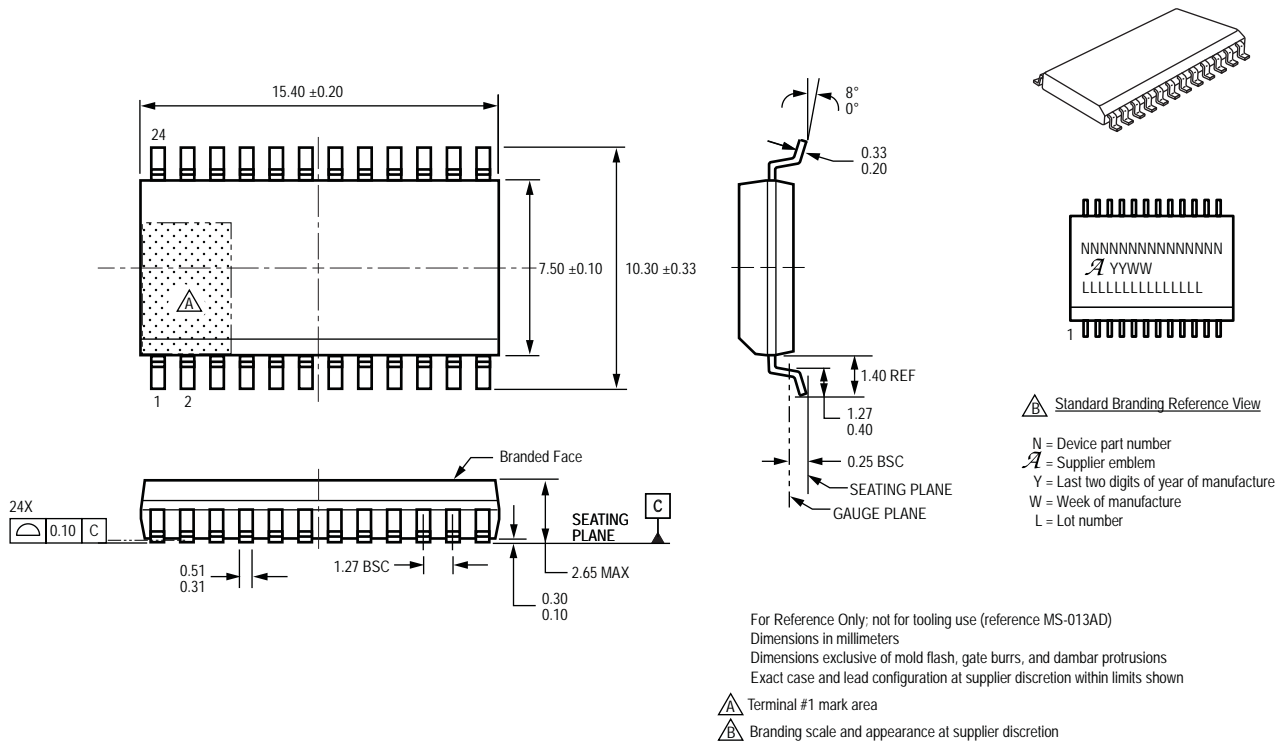
**Standard Branding Reference View**

N = Device part number  
A = Supplier emblem  
Y = Last two digits of year of manufacture  
W = Week of manufacture  
L = Lot number

For Reference Only; not for tooling use (reference MS-013AC)  
Dimensions in millimeters  
Dimensions exclusive of mold flash, gate burrs, and dambar protrusions  
Exact case and lead configuration at supplier discretion within limits shown

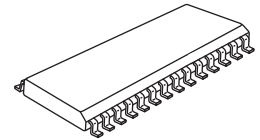
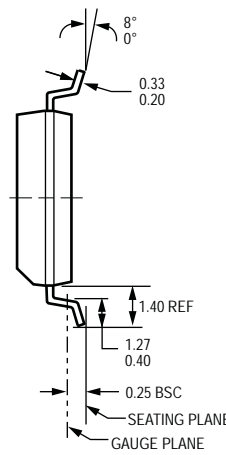
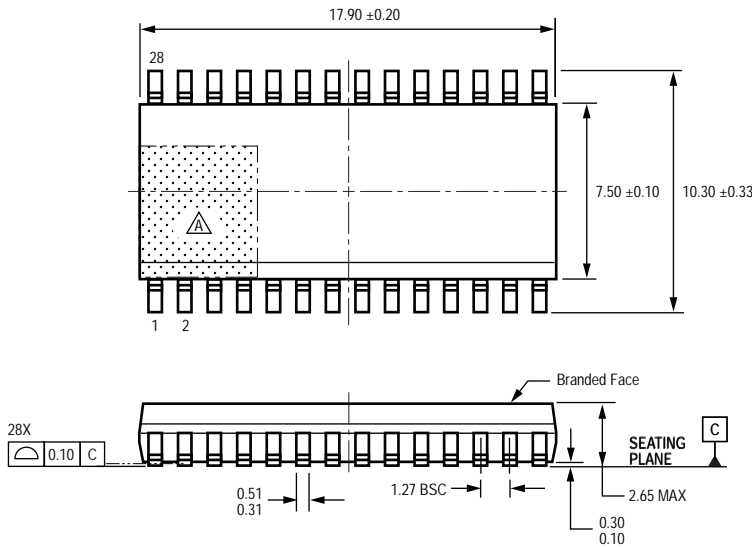
-  Terminal #1 mark area
-  Branding scale and appearance at supplier discretion

## Designator: LW Type: 24-pin, wide SOIC



Copyright ©2009-2010, Allegro MicroSystems, Inc. Drawings are for reference only; not for tooling use. Allegro MicroSystems, Inc. reserves the right to make, from time to time, such departures from the detail specifications as may be required to permit improvements in the performance, reliability, or manufacturability of its products. Before placing an order, the user is cautioned to verify that the information being relied upon is current. The information included herein is believed to be accurate and reliable. However, Allegro MicroSystems, Inc. assumes no responsibility for its use; nor for any infringement of patents or other rights of third parties which may result from its use.



## Designator: LW Type: 28-pin, wide SOIC



Standard Branding Reference View

N = Device part number  
 A = Supplier emblem  
 Y = Last two digits of year of manufacture  
 W = Week of manufacture  
 L = Lot number

For Reference Only; not for tooling use (reference MS-013AE)  
 Dimensions in millimeters  
 Dimensions exclusive of mold flash, gate burrs, and dambar protrusions  
 Exact case and lead configuration at supplier discretion within limits shown

-  Terminal #1 mark area
-  Branding scale and appearance at supplier discretion