

A3211 and A3212

MICROPOWER, ULTRA-SENSITIVE HALL-EFFECT SWITCHES

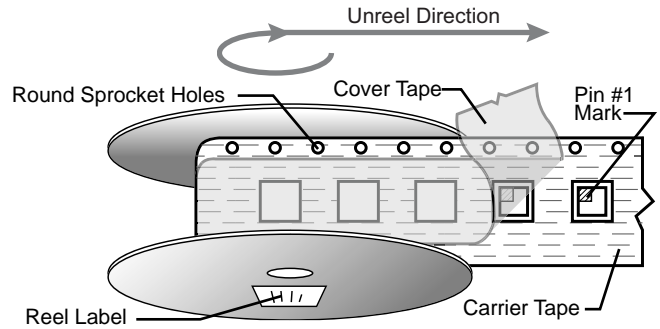
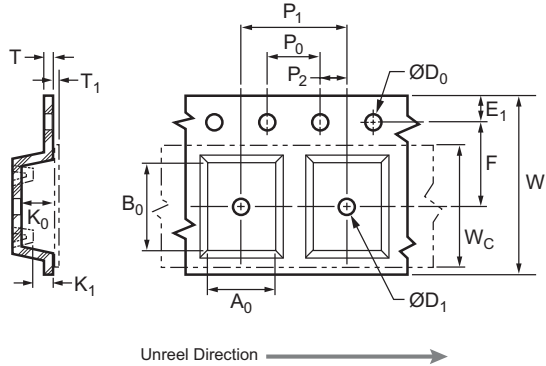
Datasheet Addendum

This addendum details the packing specifications for the EL package (2 mm × 2 mm footprint) to the information offered in the main datasheet for these devices.

For parameters not listed in this addendum, refer to the main datasheet for these devices. In the event of a conflict between this addendum and the main datasheet, this addendum takes precedence.

A3211 and A3212 MICROPOWER, ULTRA-SENSITIVE HALL-EFFECT SWITCH

EL Package (2 mm x 2mm footprint), LT Packing Instruction (embossed tape and reel)



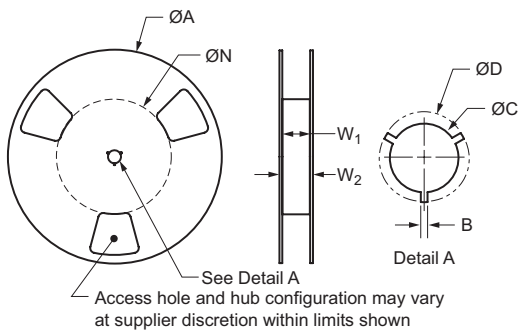
1. Pocket may have interior pedestals within specifications, at supplier discretion
2. Pocket centerlines to cavity center, not to pocket inspection hole
3. A_0 and B_0 measured 0.3 mm above exterior bottom of pocket
4. Pocket dimensions defined with reference to ANSI/EIA 481

Pin #1 oriented in quadrant 1 (ref. ANSI/EIA 481)
(trailing edge of device, as unreeled, side nearest round sprocket holes)

Tape Dimensions

Package Designation- Instruction	Carrier Tape (mm)			Cover Tape (mm)
	Tape Lengths	Sprocket Holes	Pocket Cavity	
EL-LT: 7-in. reel, 3000 pieces/reel 75-80 leader pockets* 40-50 trailer pockets	W: 12.0 ±0.3 E ₁ : 1.75 ±0.1 F: 5.5 ±0.05 T: 0.30 ±0.05	D ₀ : 1.5 +0.1/-0.0 P ₀ : 4.0 ±0.1 P ₁ : 4.0 ±0.05 P ₂ : 2.0 ±0.05	A ₀ : 2.40 ±0.1 B ₀ : 2.40 ±0.1 K ₀ : 0.80 ±0.1 D ₁ : 1.0 min.	W _C : 9.2 ±0.1 T ₁ : 0.0022 ±0.022

Leader pockets are the first off the reel when the tape is unreeled for dispensing devices.
Trailer pockets are the last pockets off the reel when unreeled for dispensing devices.



Reel Width, millimeters [inches]

Tape Width	Reel Type	W ₁ (inside, at Hub)	W ₂ (outside, at Hub), Max.
12 [.472]	7 in.	12.4 +2.0/-0.0 [.488 +.079/-0.000]	18.4 [.724]

Reel Common Dimensions, millimeters [inches]

Reel Type	A	N	B	C	D
7 in.	180.0 ±0.50 [7.00]	50.0 ±0.50 [1.969 ±0.020]	1.5 Min. [.059]	13.0 +0.5/-0.2 [.512 +.020/-0.008]	20.2 ± 0.500 [.795 ±.020]

**A3211 and A3212
MICROPOWER,
ULTRA-SENSITIVE
HALL-EFFECT SWITCH**

The products described herein are manufactured under one or more of the following U.S. patents: 5,045,920; 5,264,783; 5,442,283; 5,389,889; 5,581,179; 5,517,112; 5,619,137; 5,621,319; 5,650,719; 5,686,894; 5,694,038; 5,729,130; 5,917,320; and other patents pending.

Allegro MicroSystems, Inc. reserves the right to make, from time to time, such departures from the detail specifications as may be required to permit improvements in the performance, reliability, or manufacturability of its products. Before placing an order, the user is cautioned to verify that the information being relied upon is current.

Allegro products are not authorized for use as critical components in life-support devices or systems without express written approval.

The information included herein is believed to be accurate and reliable. However, Allegro MicroSystems, Inc. assumes no responsibility for its use; nor for any infringement of patents or other rights of third parties which may result from its use.

Copyright © 2005 Allegro MicroSystems, Inc.