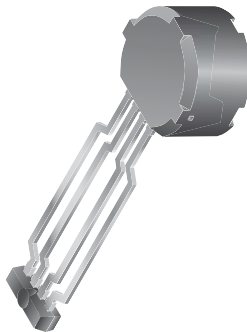


## Programmable Back Biased Hall-Effect Switch with TPOS Functionality

### Features and Benefits

- Chopper Stabilization
  - Extremely low switchpoint drift over temperature
- On-chip Protection
  - Supply transient protection
  - Output short-circuit protection
  - Reverse-battery protection
- True Zero-Speed Operation
- True Power-On State
- Single-chip Sensing IC for High Reliability
- Optimized Magnetic Circuit
- Wide Operating Voltage Range
- Internal Regulator

### Package: 4-pin SIP (suffix SE)



Not to scale

### Description

The ATS636LSE programmable, true power-on state (TPOS), device is optimized Hall-effect IC and rare-earth pellet combinations that switch in response to magnetic signals created by ferromagnetic targets in gear-tooth sensing and proximity applications.

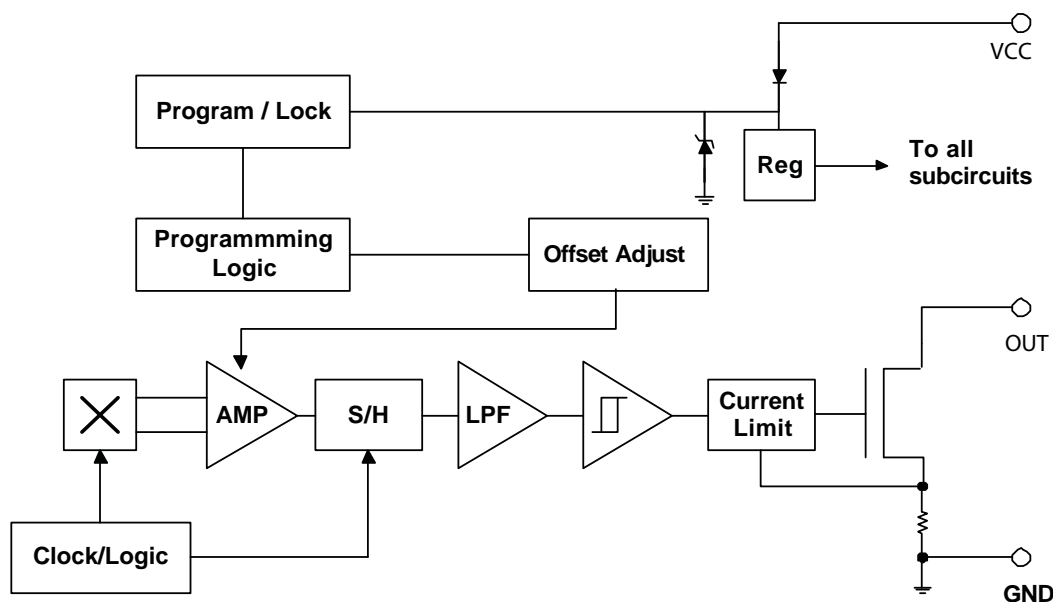
The device is externally programmable. A wide range of programmability is available on the magnetic operate point ( $B_{OP}$ ) while the hysteresis remains fixed. This advanced feature allows for optimization of the circuit switchpoint and can drastically reduce the effects of mechanical placement tolerances found in production environments .

A proprietary dynamic offset cancellation technique, with an internal high-frequency clock, reduces the residual offset voltage, which is normally caused by device overmolding, temperature dependencies, and thermal stress. Having the Hall element and amplifier in a single chip minimizes many problems normally associated with low-level analog signals.

This device is ideal for use in gathering speed or position information using gear-tooth-based configurations, or for proximity sensing with ferromagnetic targets.

*Continued on the next page...*

### Functional Block Diagram



## Description (continued)

The ATS636LSE has the opposite polarity and switches low in the presence of a ferromagnetic target or tooth and switches high in the presence of a target valley, window, or when the ferromagnetic target is removed.

These devices are lead (Pb) free, with 100% matte tin leadframe plating.

## Selection Guide

Part Number	Output (Tooth)	Packing*
ATS636LSETN-T	Low	13-in. reel, 450 pieces/reel

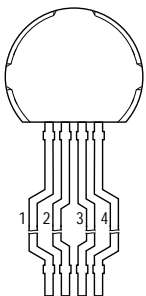
\*Contact Allegro® for additional packing options.



## Absolute Maximum Ratings

Characteristic	Symbol	Notes	Rating	Unit
Supply Voltage	$V_{CC}$	Fault conditions that produce supply voltage transients will be clamped by an internal Zener diode. These conditions can be tolerated but should be avoided.	28	V
Reverse Supply Voltage	$V_{RCC}$		-18	V
Overvoltage Supply Current	$I_{CC}$		100	mA
Output Off Voltage	$V_{OUT}$		26.5	V
Output Sink Current	$I_{OUT}$	Internal current limiting is intended to protect the device from output short circuits, but is not intended for continuous operation.	20	mA
Magnetic Flux Density	B		Unlimited	-
Package Power Dissipation	$P_D$		See Graph	-
Operating Ambient Temperature	$T_A$	Range L	-40 to 150	°C
Junction Temperature	$T_J$		165	°C
Storage Temperature Range	$T_{stg}$		-65 to 170	°C

## Pin-out Diagram



## Terminal List

Number	Name	Function
1	VCC	Device supply
2	VOUT	Device output
3	NC	No connect
4	GND	Device ground

**ELECTRICAL CHARACTERISTICS** over operating voltage and junction temperature range; unless otherwise noted

Characteristics	Symbol	Test Conditions	Min.	Typ. <sup>1</sup>	Max.	Unit
Supply Voltage <sup>2</sup>	V <sub>CC</sub>	Operating	4.2	–	24	V
Power-Up State	POS	After programming V <sub>CC</sub> = 0 × V <sub>CC</sub> (min), t > t <sub>ON</sub> : B < B <sub>OP</sub>	High	High	High	–
Low Output Voltage	V <sub>OUT(SAT)</sub>	Output on, I <sub>OUT</sub> = 20 mA	–	175	400	mV
Output Current Limit <sup>3</sup>	I <sub>OUTM</sub>	Pulse test method, output on	30	50	90	mA
Output Leakage Current	I <sub>OFF</sub>	Output off, V <sub>OUT</sub> = 24 V	–	–	10	μA
Supply Current	I <sub>CC</sub>	Output off (high)	–	2.5	5.5	mA
		Output on (low)	–	2.5	5.5	mA
Reverse Supply Current	I <sub>RCC</sub>	V <sub>RCC</sub> = –18 V	–	–	–5	mA
Power-On Delay <sup>4</sup>	t <sub>ON</sub>	Output off, V <sub>CC</sub> > V <sub>CC</sub> (min)	–	35	50	μs
Output Rise Time	t <sub>r</sub>	R <sub>L</sub> = 820 Ω, C <sub>L</sub> = 10 pF	–	1.2	5	μs
Output Fall Time	t <sub>f</sub>	R <sub>L</sub> = 820 Ω, C <sub>L</sub> = 10 pF	–	1.2	5	μs
Sampling Frequency	f <sub>sample</sub>		–	250	–	kHz
Supply Zener Voltage	V <sub>Zsupply</sub>	I <sub>CC</sub> = I <sub>CC</sub> (max) + 3 mA, T <sub>A</sub> = 25°C	28	–	–	V
Output Zener Voltage	V <sub>Zoutput</sub>	I <sub>OUT</sub> = 3 mA, T <sub>A</sub> = 25°C	30	–	–	V
Supply Zener Current <sup>5</sup>	I <sub>Zsupply</sub>	V <sub>S</sub> = 28 V	–	–	8.5	mA
Output Zener Current	I <sub>Zoutput</sub>	V <sub>O</sub> = 30 V	–	–	3	mA

<sup>1</sup>Typical data is at V<sub>CC</sub> = 12 V and T<sub>A</sub> = 25°C.

<sup>2</sup>Do not exceed the maximum thermal junction temperature: see power derating curve.

<sup>3</sup>Short circuit protection is not intended for continuous operation and is tested using pulses.

<sup>4</sup>The Power-On Delay is the time that is necessary before the output signal is valid.

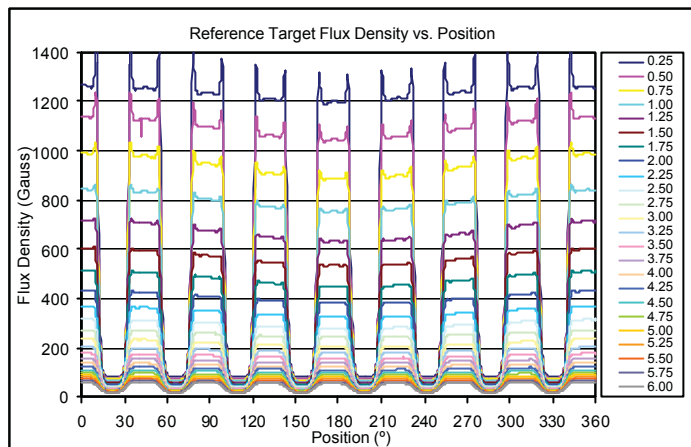
<sup>5</sup>The maximum spec limit for this parameter is equivalent to I<sub>CC</sub>(max) + 3 mA.

**MAGNETIC CHARACTERISTICS** over operating voltage and junction temperature range using reference target; unless otherwise noted

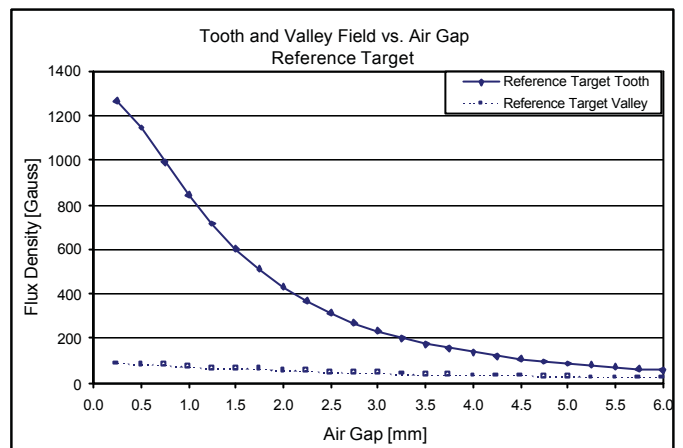
Characteristics	Symbol	Test Conditions	Min.	Typ.	Max.	Unit
Number of Programming Bits		Switchpoint	-	7	-	bit
		Switchpoint Polarity	-	1	-	bit
		Programming Lock	-	1	-	bit
Gear Tooth / Proximity Characteristics (Low switchpoint only)						
Programming Air Gap Range <sup>1</sup>	AG <sub>Range</sub>	Temperature = 25°C, Code = -127	2.5	-	-	mm
		Temperature = 25°C, Code = +127	-	-	1.5	mm
Programming Resolution	AG <sub>Res</sub>	Temperature = 25°C Program Air Gap = 2.5 mm	-	0.05	-	mm
Air Gap Drift Over Full Temperature Range <sup>2</sup>	AG <sub>Drift</sub>	Device programmed to 2.5 mm	-	0.2	-	mm
Polarity	P	Over tooth (ATS636LSE)	-	Low	-	-
		Over valley (ATS636LSE)	-	High	-	-

<sup>1</sup>The switchpoint will vary over temperature. A sufficient margin obtained through customer testing is required to guarantee functionality over temperature. Programming at larger air gaps leaves no safety margin for switchpoint drift. See the applications note *Proximity Sensing Programming Technique* on the Allegro website at <http://www.allegromicro.com> for additional information.

<sup>2</sup>The switchpoint will vary over temperature, proportionally to the programmed air gap. This parameter is based on characterization data and is not a tested parameter in production. Switchpoint air gap generally drifts downward as temperature increases.



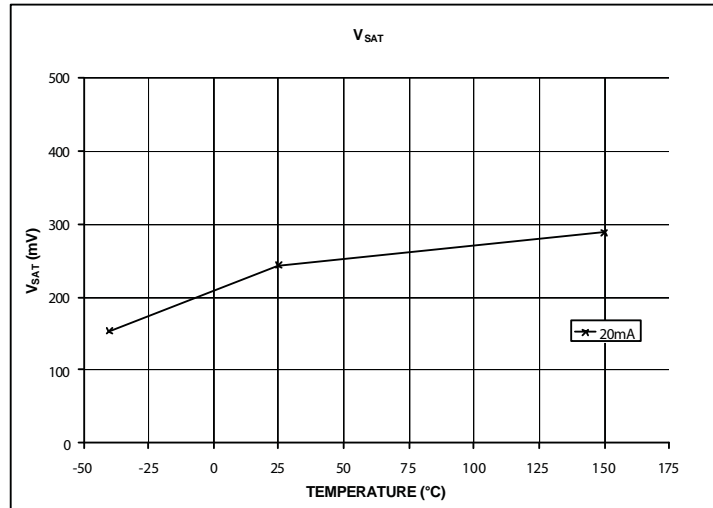
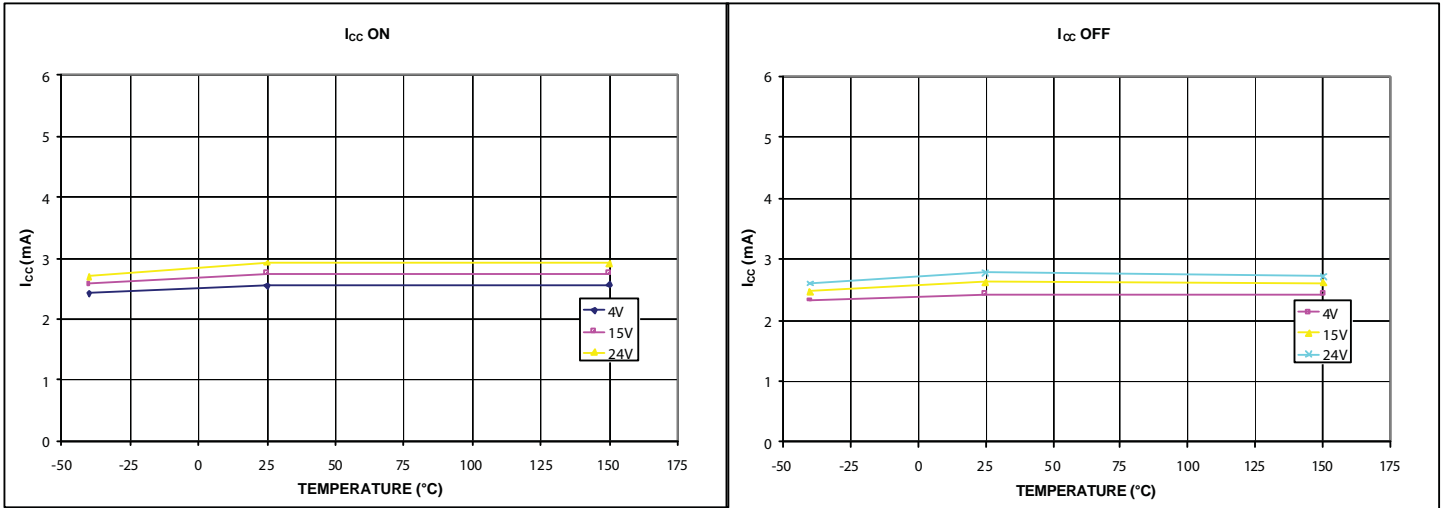
Reference Target Flux Density vs. Position: Typical



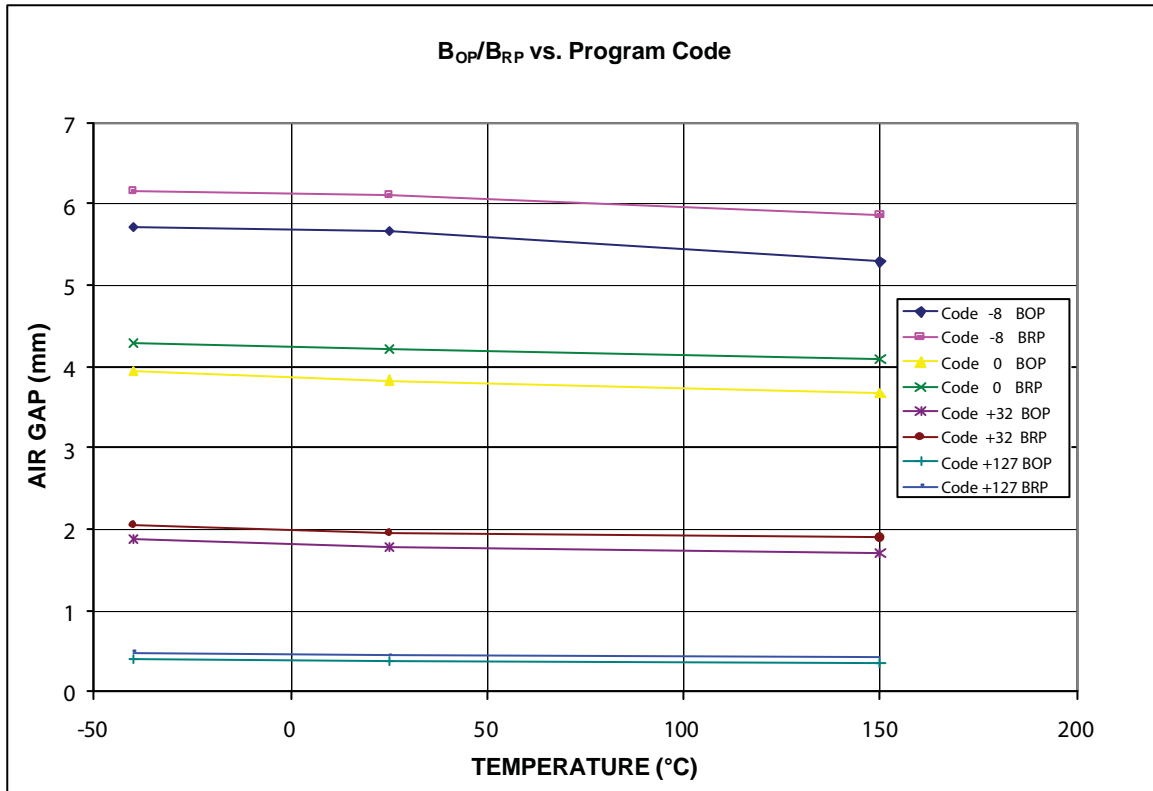
Reference Target Tooth and Valley Field vs. Air Gap

**Characteristic Performance**

Data taken from 3 lots, 30 pieces/lot  
Reference Target 8x



Data taken from 3 lots, 30 pieces/lot  
Reference Target 8x

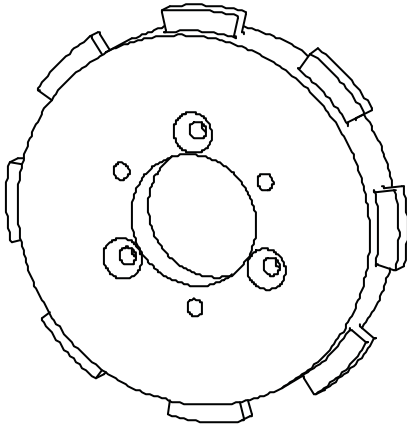


Notes:

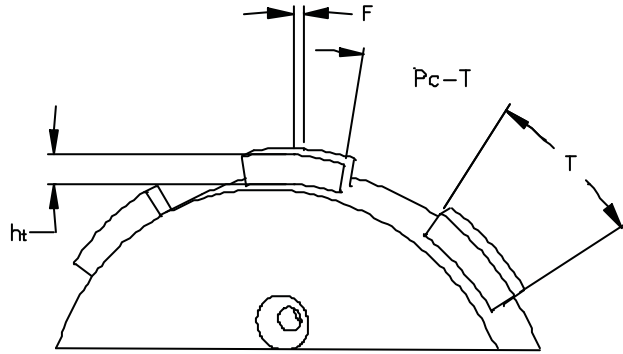
- Air gaps for Code 127 at 150°C are interpolated due to test limitations at minimum air gap.
- These graphs are intended to provide an understanding of how the program codes affect the switchpoints. In a production environment, individual devices would be programmed to individual codes to ensure all devices switch at the same air gap.

**REFERENCE TARGET DIMENSIONS**

Target	Outside Diameter (D <sub>o</sub> )	Face Width (F)	Circular Tooth Length (T)	Circular Valley Length (P <sub>C</sub> - T)	Tooth Whole Depth (h <sub>t</sub> )
Reference Target	120 mm	6 mm	23.5 mm	23.5 mm	5 mm



Reference Target



Reference Target

**Gear Parameters for Correct Operation**

Characteristic	Description	Min.	Typ.	Max.	Unit
Tooth Whole Depth (h <sub>t</sub> )	Depth of Target Valley	5	–	–	mm
Circular Valley Length (P <sub>C</sub> - T)	Length of Target Valley	13	–	–	mm
Circular Tooth Length (T)	Length of Target Tooth	5	–	–	mm
Face Width (F)	Thickness or Width of Target Tooth	5	–	–	mm

Material: CRS 1018

**Electromagnetic Capability (EMC) Performance**

Please Contact Allegro MicroSystems for EMC Performance

Test Name	Reference Specification
ESD – Human Body Model	AEC-Q100-002
ESD – Machine Model	AEC-Q100-003
Conducted Transients	ISO 7637-1
Direct RF Injection	ISO 11452-7
Bulk Current Injection	ISO 11452-4
TEM Cell	ISO 11452-3

**Functional Description**

**Chopper-Stabilized Technique**

The basic Hall element is a small sheet of semiconductor material in which a constant bias current will flow when a constant voltage source is applied. The output will take the form of a voltage measured across the width of the sheet and will have negligible value in the absence of a magnetic field. When a magnetic field with flux lines at right angles to the Hall current is applied, a small signal voltage directly proportional to the strength of the magnetic field will occur at the output terminals.

This signal voltage is proportionally small relative to the offset produced at the input of the chip. This makes it very difficult to process the signal and maintain an accurate, reliable output over the specified temperature and voltage range. Therefore, it is important to reduce any offset on the signal that could be amplified when the signal is processed.

Chopper stabilization is a unique approach used to minimize input offset on the chip. This technique removes a key source of output drift with temperature and stress, and produces a 3× reduction in offset over other conventional methods.

This offset reduction chopping technique is based on a signal modulation-demodulation process. The undesired offset signal is

separated from the magnetically induced signal in the frequency domain. The offset (and any low frequency noise) component of the signal can be seen as signal corruption added after the signal modulation process has taken place. Therefore, the DC offset is not modulated and remains a low frequency component. Consequently, the signal demodulation process acts as a modulation process for the offset causing the magnetically induced signal to recover its original spectrum at baseband while the DC offset becomes a high frequency signal. Then, using a low pass filter, the signal passes while the modulated DC offset is suppressed.

The advantage of this approach is significant offset reduction, which desensitizes the chip against the effects of temperature and stress. The disadvantage is that this technique features a demodulator that uses a sample and hold block to store and recover the signal. This sampling process can slightly degrade the signal-to-noise Ratio (SNR) by producing replicas of the noise spectrum at the baseband. The degradation is a function of the ratio between the white noise spectrum and the sampling frequency. The effect of the degradation of the SNR is higher jitter, a.k.a. signal repeatability. In comparison to a continuous time device, the jitter spec can be increased by a factor of five.

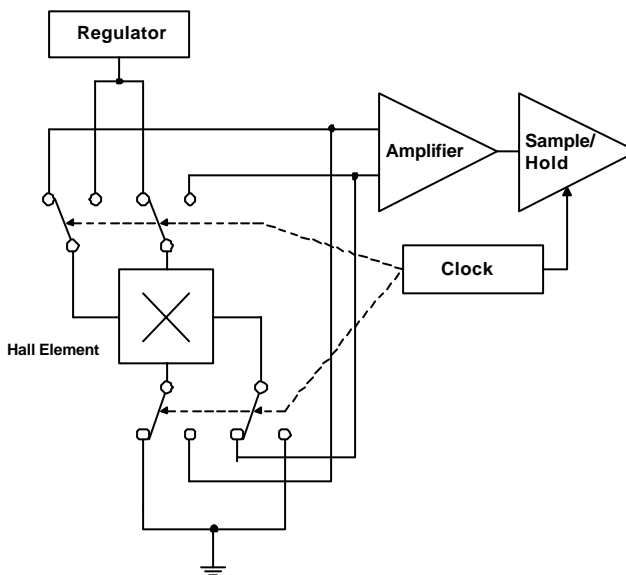


Figure 1. Concept of Chopper-Stabilization Algorithm

Addressing / Programming Protocol

The ATS636LSE magnetic operate point,  $B_{OP}$ , is programmed by serially addressing the devices through the supply terminal (1). After the correct operate point is determined, the device programming bits are selected and blown, then a lock bit is selected and blown to prevent any further (accidental) programming.

**Addressing**  $B_{OP}$  is programmable in both the positive and negative direction from its initial value. Addressing is used to determine the desired code, while programming is used to lock the code. A unique key is needed to blow fuses, while addressing as described below does not allow for the device to be programmed accidentally.

**Addressing with positive polarity** The magnetic operate point,  $B_{OP}$ , is adjustable using 7 bits or 128 addresses. The addresses are sequentially selected (figure 2) until the required operate point is reached. The first address must be selected with

a high voltage pulse,  $V_{PP}$ , while the remaining pulses should be  $V_{PH}$  pulses. Note that the difference between  $B_{OP}$  and the magnetic release point,  $B_{RP}$ , the hysteresis,  $B_{HYS}$ , is fixed for all addresses.

**Addressing with negative polarity** The magnetic operate point,  $B_{OP}$ , is adjustable with negative polarity using 7 bits or 128 addresses. To invert the polarity it is necessary to first apply a keying sequence (figure 3). The polarity key contains a  $V_{PP}$  pulse and at least 1  $V_{PH}$  pulse, but no more than 6  $V_{PH}$  pulses; the key in figure 3 shows 2  $V_{PH}$  pulses. The addresses are then sequentially selected until the required operate point is reached. The first address must be selected with a high voltage pulse,  $V_{PP}$ , while the remaining pulses should be  $V_{PH}$  pulses.

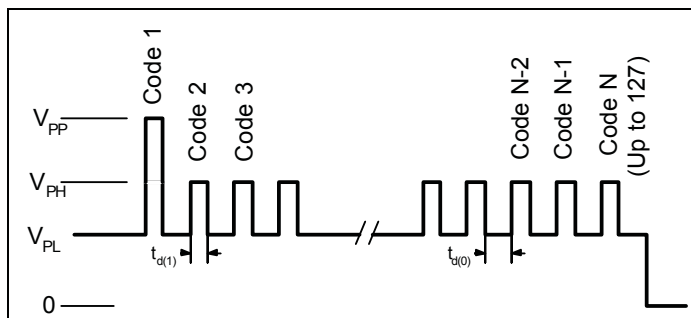


Figure 2. Addressing Pulses: Positive Polarity

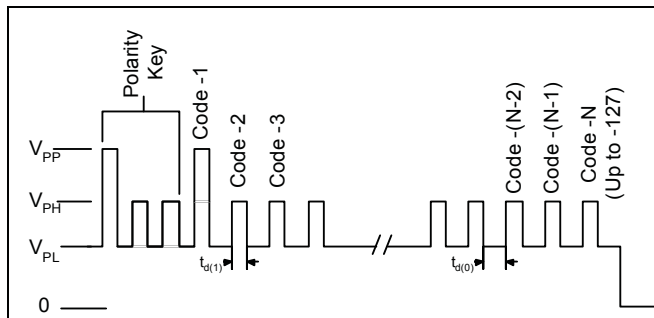


Figure 3. Addressing Pulses: Negative Polarity

**PROGRAMMING PROTOCOL** Valid over operating temperature range, unless otherwise noted

Characteristics	Symbol	Test Conditions	Min.	Typ.	Max.	Units
<b>Programming Protocol (<math>T_A = 25^\circ\text{C}</math>)</b>						
Programming Voltage <sup>1,2</sup>	$V_{PL}$	Minimum voltage range during programming	4.5	5	5.5	V
	$V_{PH}$		8.5	–	15	V
	$V_{PP}$		25	–	27	V
Programming Current	$I_{PP}$	Maximum supply current during programming	–	500	–	mA
Pulse Width	$t_{d(0)}$	Off-time between bits	20	–	–	$\mu\text{s}$
	$t_{d(1)}$	Enable, address, program, or lock bit on-time	20	–	–	$\mu\text{s}$
	$t_{dP}$	Program pulse on-time	100	300	–	$\mu\text{s}$
Pulse Rise Time	$t_r$	$V_{PL}$ to $V_{PH}$ or $V_{PP}$	–	–	11	$\mu\text{s}$
Pulse Fall Time	$t_f$	$V_{PH}$ or $V_{PP}$ to $V_{PL}$	–	–	5	$\mu\text{s}$

<sup>1</sup>Programming voltages are measured at pin 1 (VCC) of the SIP. A minimum capacitance of 0.1  $\mu\text{F}$  must be connected from VCC to GND of the SIP to provide the current necessary to blow the fuse.

<sup>2</sup>Testing is the only method that guarantees successful programming.

**Program Enable** To program the device, a keying sequence is used to activate /enable the programming mode as shown in figure 4. This program key sequence consisting of a  $V_{PP}$  pulse, at least seven  $V_{PH}$  pulses, and a  $V_{PP}$  pulse with no supply interruptions. The sequence is designed to prevent the device from being programmed accidentally (e.g., as a result of noise on the supply line).

**Code Programming** After the desired switchpoint code is selected (0 through 127), each bit of the corresponding binary address should be programmed individually, not at the same time. For example, to program code 5 (binary 000101), bits 1 and

3 need to be programmed. A bit is programmed by addressing the code and then applying a  $V_{PP}$  pulse, the programming is not reversible. An appropriate sequence for blowing code 5 is shown in figure 5.

**Polarity Bit Programming** If the desired switchpoint has negative polarity, the polarity bit must be programmed. To do this it is necessary to first apply the polarity key sequence before the program key sequence (figure 6). Finally a  $V_{PP}$  pulse of duration  $t_{dP}$  must be applied to program this bit, the programming is not reversible. The polarity bit is for adjusting programming range only and will not affect the output polarity.

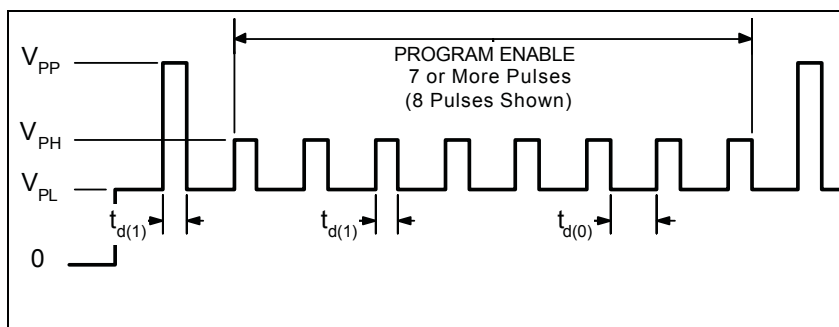


Figure 4. Program Enable Pulse Sequence

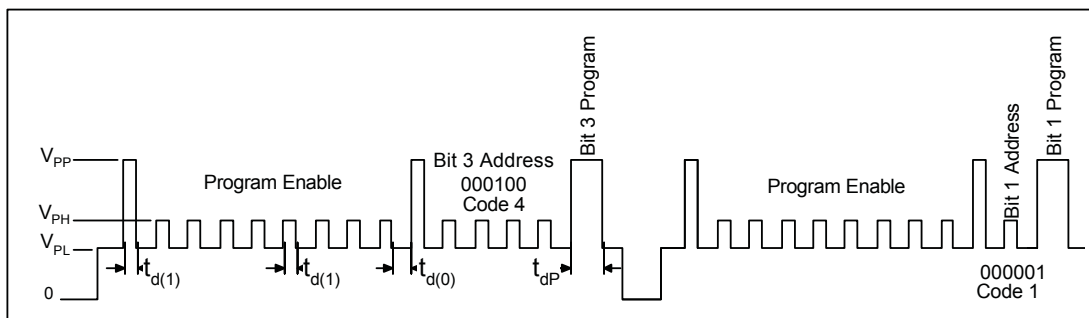


Figure 5. Code Programming Example

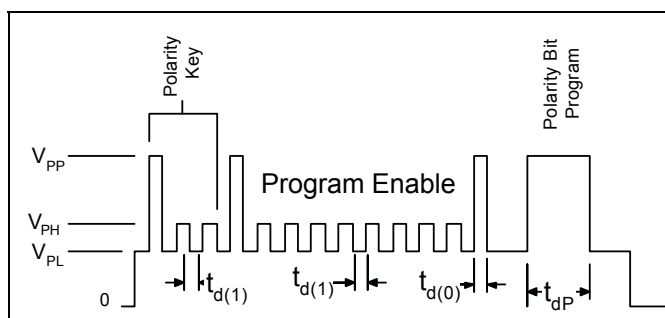


Figure 6. Polarity Bit Programming

**Lock-Bit Programming** After the desired code is programmed, the lock bit (code 128), can be programmed (figure 7) to prevent further programming of the device. Again, programming is not reversible. See Allegro website at <http://www.allegromicro.com> for extensive

information on device programming as well as programming products. Programming hardware is available for purchase and programming software is available for free.

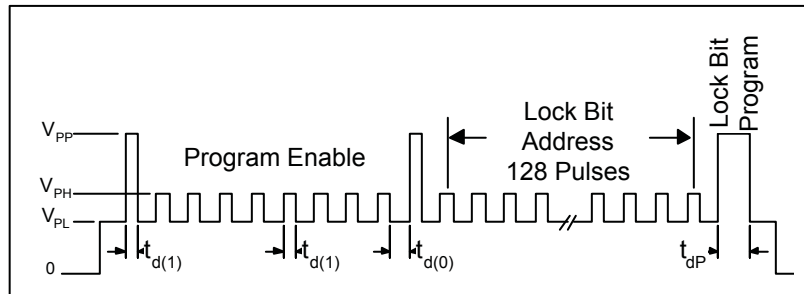


Figure 7. Lock -Bit Programming Pulse Sequence

**Typical Application Circuit**

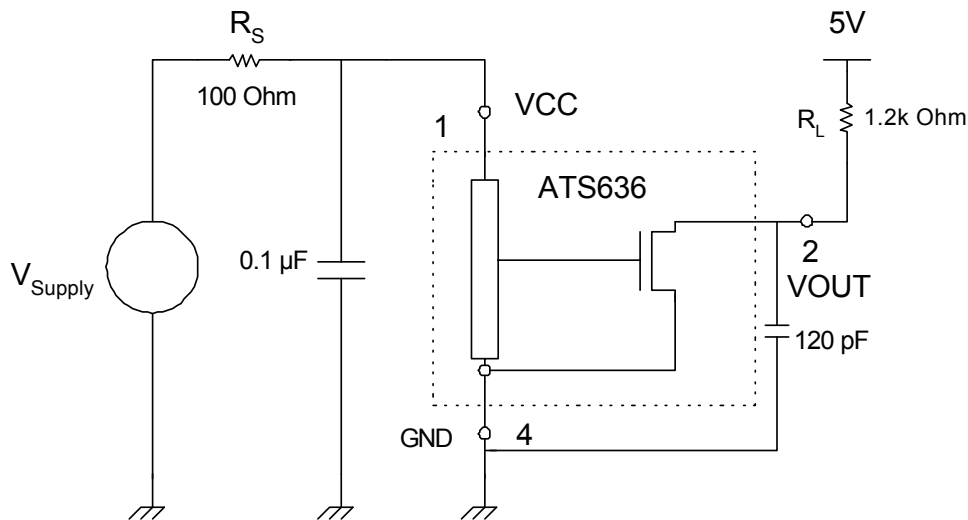
For applications it is strongly recommended that an external ceramic bypass capacitor in the range of 0.01  $\mu\text{F}$  to 0.1  $\mu\text{F}$  be connected between the supply and ground of the device to reduce both external noise and noise generated by the chopper-stabilization technique. (The diagram below shows a 0.1  $\mu\text{F}$  bypass capacitor.)

The series resistor  $R_S$  in combination with the bypass capacitor creates a filter for EMC pulses. The series resistor will have a drop of approximately 800 mV, this must be considered for the minimum  $V_{CC}$  requirement of the ATS636LSE. The small capacitor on the output of the device improves the EMC performance

of the device. The pull-up resistor should be chosen to limit the current through the output transistor; do not exceed the maximum continuous output current of the device.

Note: This circuit cannot be used to program the device, as the series resistance is too large, and a minimum capacitance of 0.1  $\mu\text{F}$  must be connected from VCC to GND of the SIP to provide the current necessary to blow the fuse.

Extensive applications information on magnets and Hall-effect ICs including chopper stabilization is available in the Allegro *Electronic Data Book* CD, or at the website: <http://www.allegromicro.com>.



Typical Application:

Power Derating – SE Package

Due to internal power consumption, the junction temperature of the IC (junction temperature,  $T_J$ ) is higher than the ambient environment temperature,  $T_A$ . To ensure that the device does not operate above the maximum rated junction temperature use the following calculations:

$$\Delta T = P_D \times R_{\theta JA}$$

Where:

$$P_D = V_{CC} \times I_{CC}$$

$$\therefore \Delta T = V_{CC} \times I_{CC} \times R_{\theta JA}$$

Where  $\Delta T$  denotes the temperature rise resulting from the IC's power dissipation.

$$T_J = T_A + \Delta T$$

$$R_{\theta JA} = 77^\circ\text{C/W}$$

$$T_{J(\text{max})} = 165^\circ\text{C}$$

Typical  $T_J$  calculation:

$$T_A = 25^\circ\text{C}$$

$$V_{CC} = 5\text{ V}$$

$$I_{CC(\text{on})} = 5.5\text{ mA}$$

$$P_D = V_{CC} \times I_{CC} = 5\text{ V} \times 5.5\text{ mA} = 27.5\text{ mW}$$

$$\Delta T = P_D \times R_{\theta JA} = 27.5\text{ mW} \times 77^\circ\text{C/W} = 2.0^\circ\text{C}$$

$$T_J = T_A + \Delta T = 25^\circ\text{C} + 2.0^\circ\text{C} = 27.0^\circ\text{C}$$

Maximum Allowable Power Dissipation Calculation:

$$T_J = T_A + \Delta T$$

$$T_{J(\text{max})} = 165^\circ\text{C, if } T_A = 150^\circ\text{C}$$

then:

$$165 = 150 + \Delta T$$

$$\Delta T = 15^\circ\text{C}$$

$$\Delta T = P_D \times R_{\theta JA} \text{ (} R_{\theta JA} = 77^\circ\text{C/W)}$$

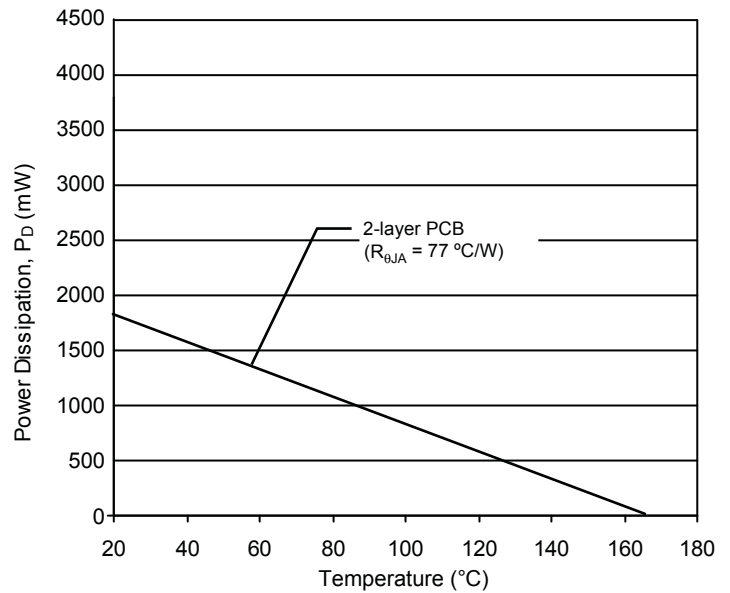
$$\therefore P_{D(\text{max})} = 15^\circ\text{C} / 77^\circ\text{C/W} = 195\text{ mW at } T_A = 150^\circ\text{C}$$

Maximum  $V_{CC}$  for  $P_{D(\text{max})} = 111\text{ mW at } T_A = 150^\circ\text{C}$

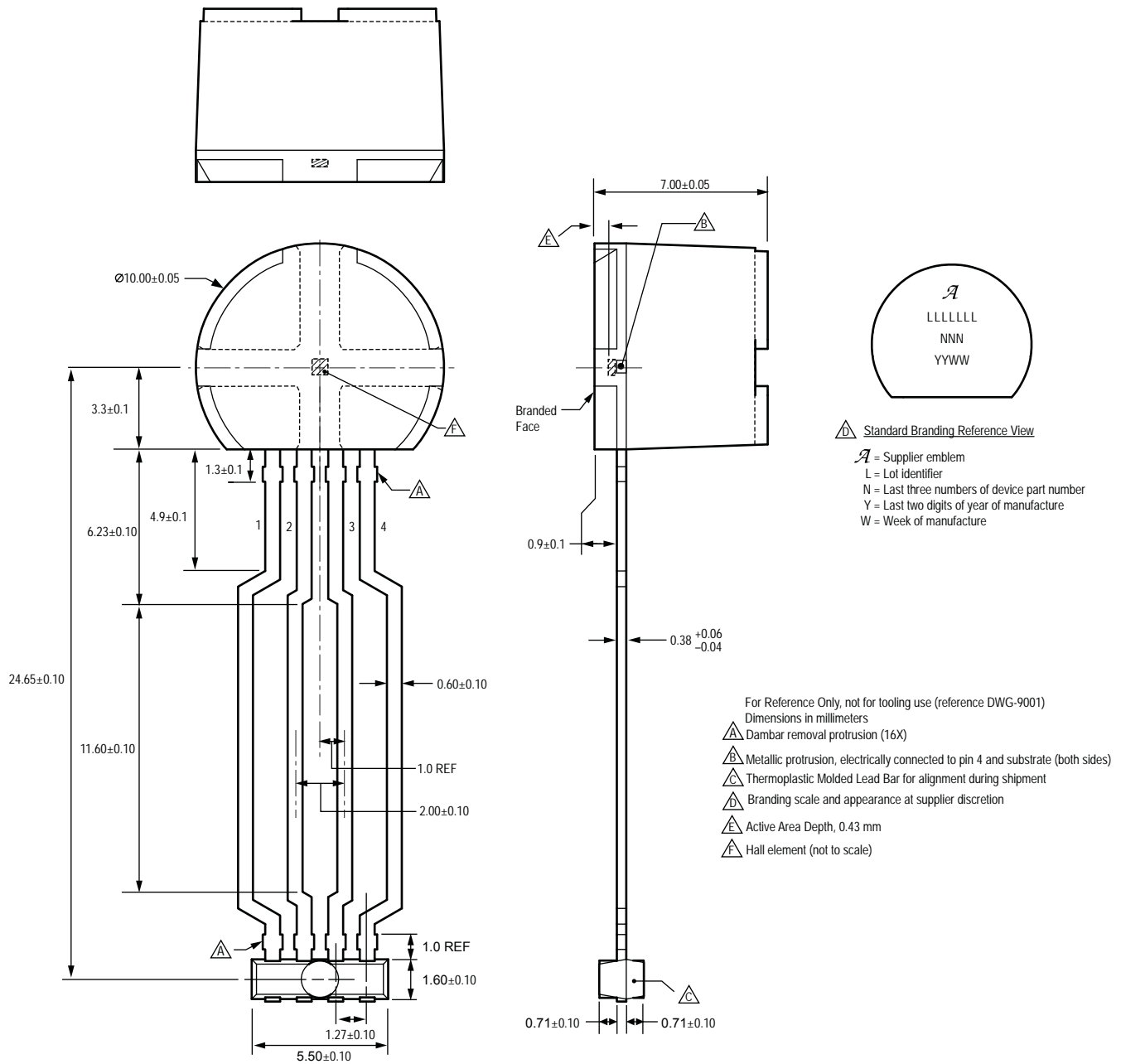
$$P_D = V_{CC} \times I_{CC}, I_{CC} = 10\text{ mA (max) at } 150^\circ\text{C}$$

$$V_{CC} = P_D / I_{CC} = 195\text{ mW} / 5.5\text{ mA} = 35.4\text{ V}$$

Power Dissipation versus Ambient Temperature



Package SE 4-Pin SIP



**Revision History**

<b>Revision</b>	<b>Revision Date</b>	<b>Description of Revision</b>
Rev. 5	January 30, 2012	Update product availability

Copyright ©2005-2012, Allegro MicroSystems, Inc.

Allegro MicroSystems, Inc. reserves the right to make, from time to time, such departures from the detail specifications as may be required to permit improvements in the performance, reliability, or manufacturability of its products. Before placing an order, the user is cautioned to verify that the information being relied upon is current.

Allegro's products are not to be used in life support devices or systems, if a failure of an Allegro product can reasonably be expected to cause the failure of that life support device or system, or to affect the safety or effectiveness of that device or system.

The information included herein is believed to be accurate and reliable. However, Allegro MicroSystems, Inc. assumes no responsibility for its use; nor for any infringement of patents or other rights of third parties which may result from its use.

For the latest version of this document, visit our website:

[www.allegromicro.com](http://www.allegromicro.com)

