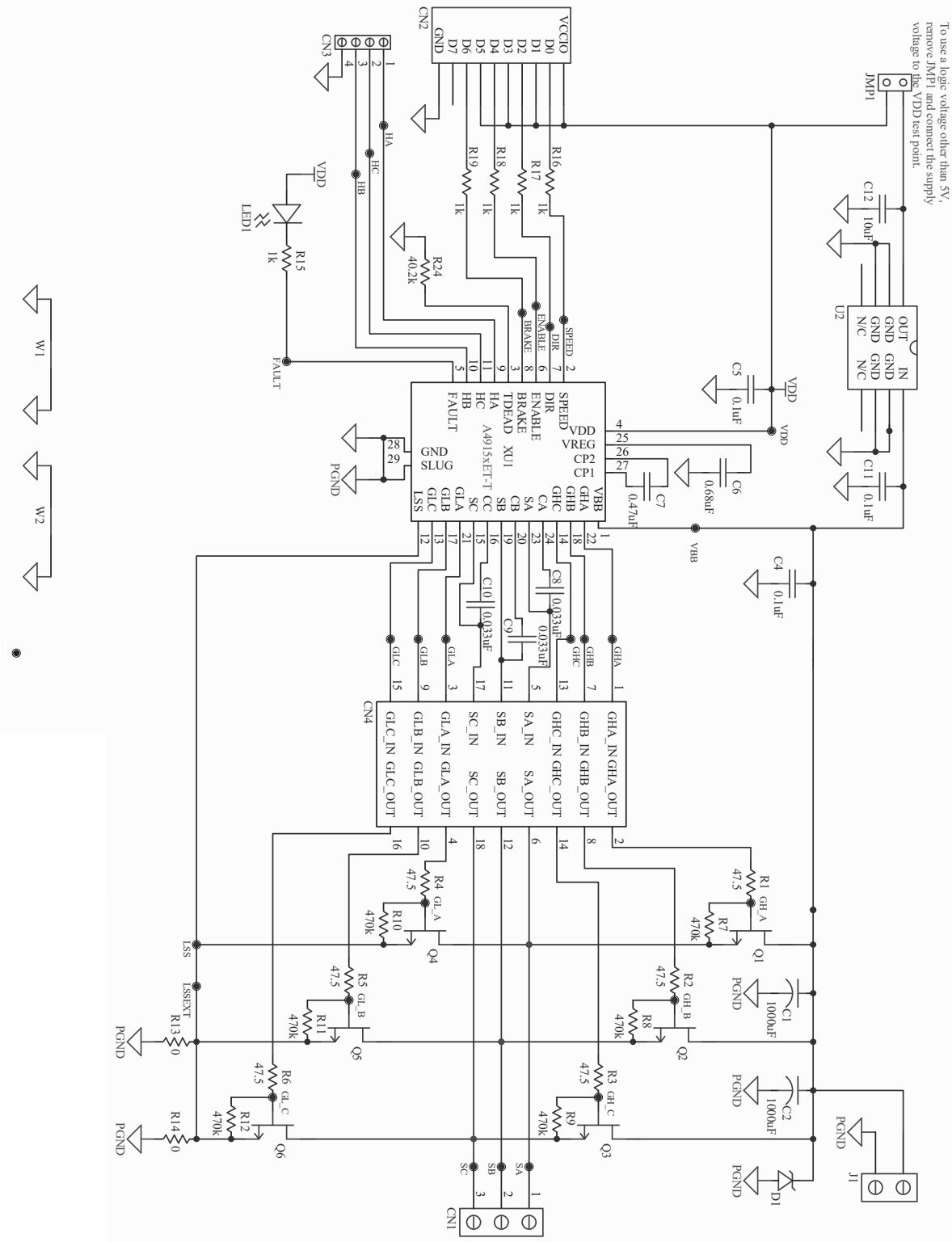
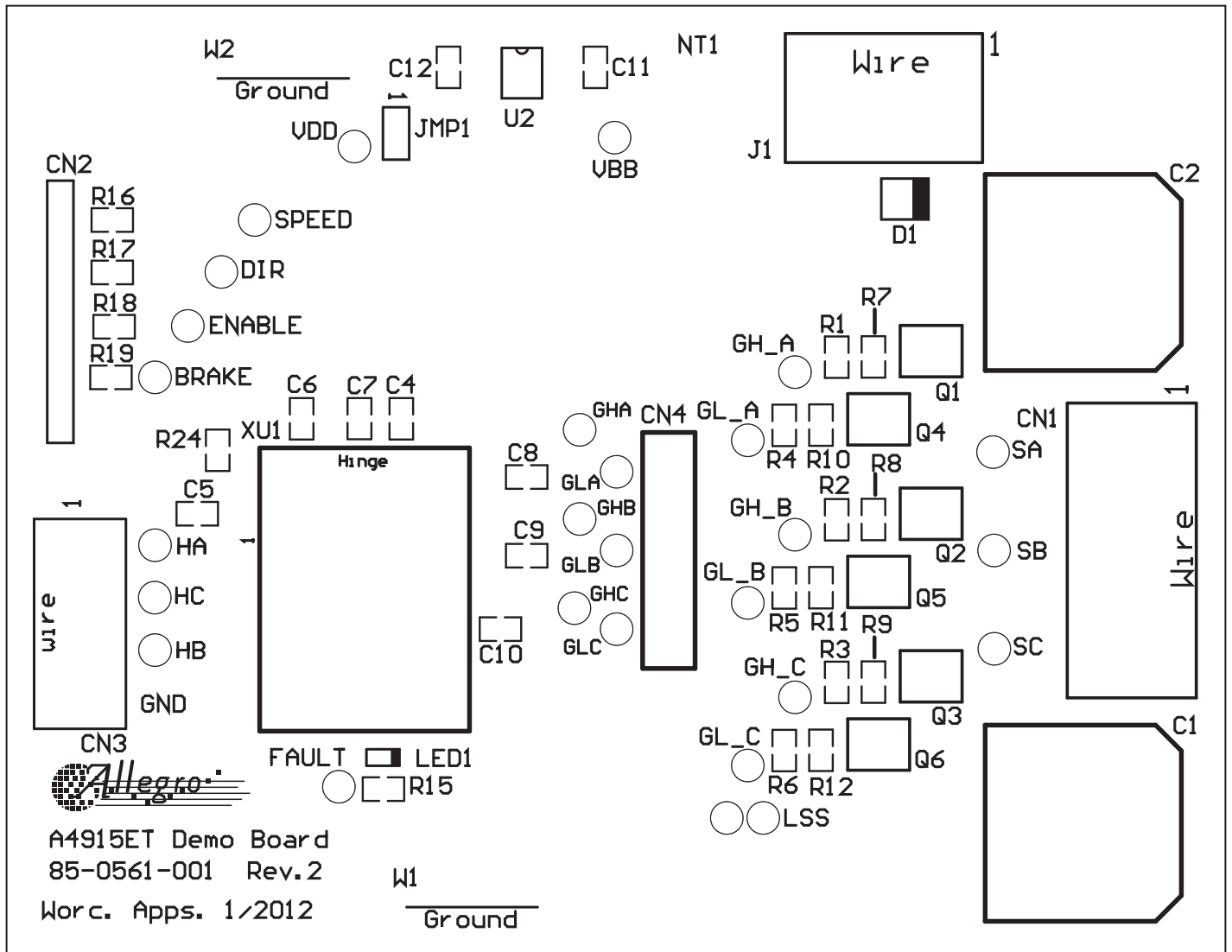


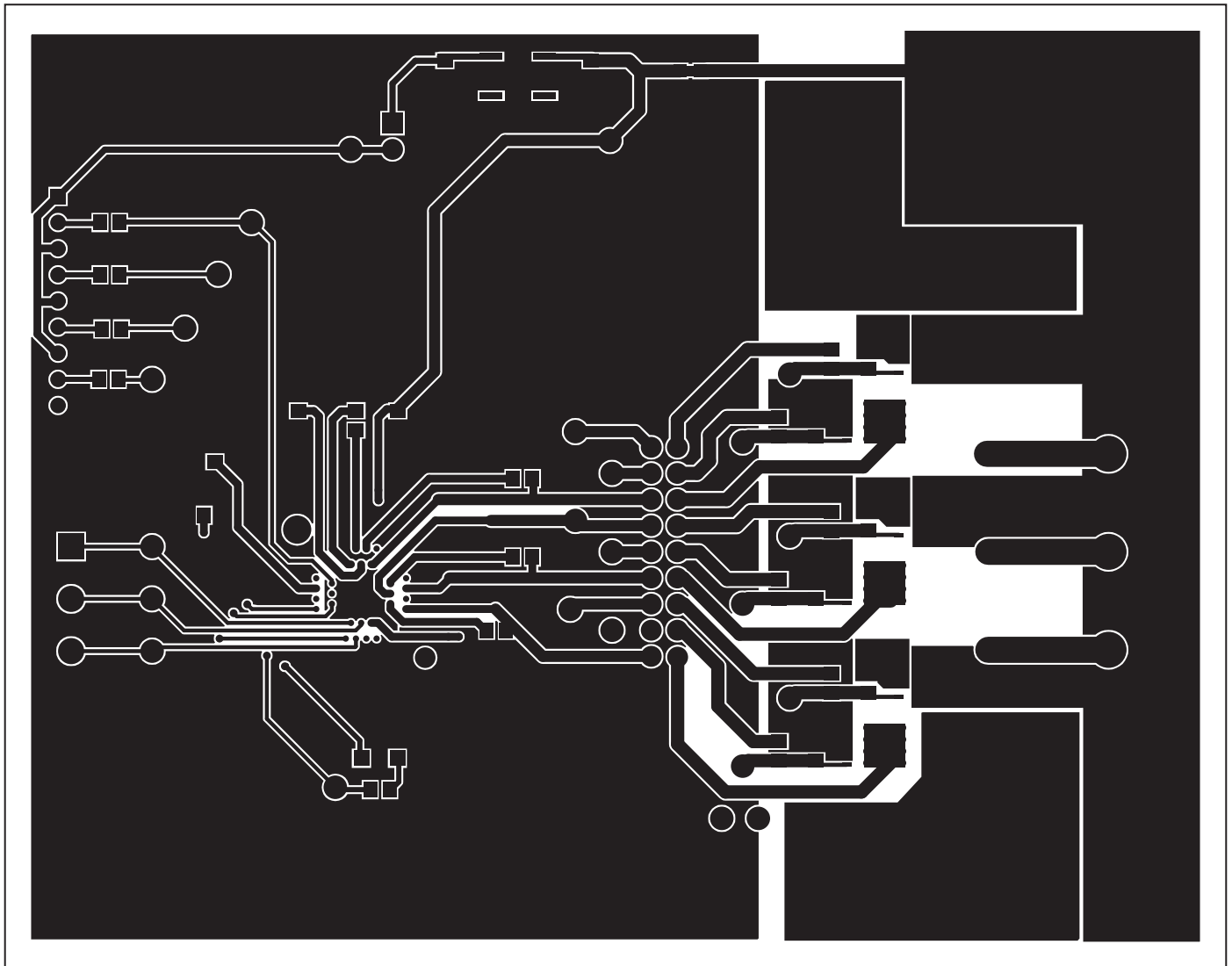
Demo Board Schematic/Layout

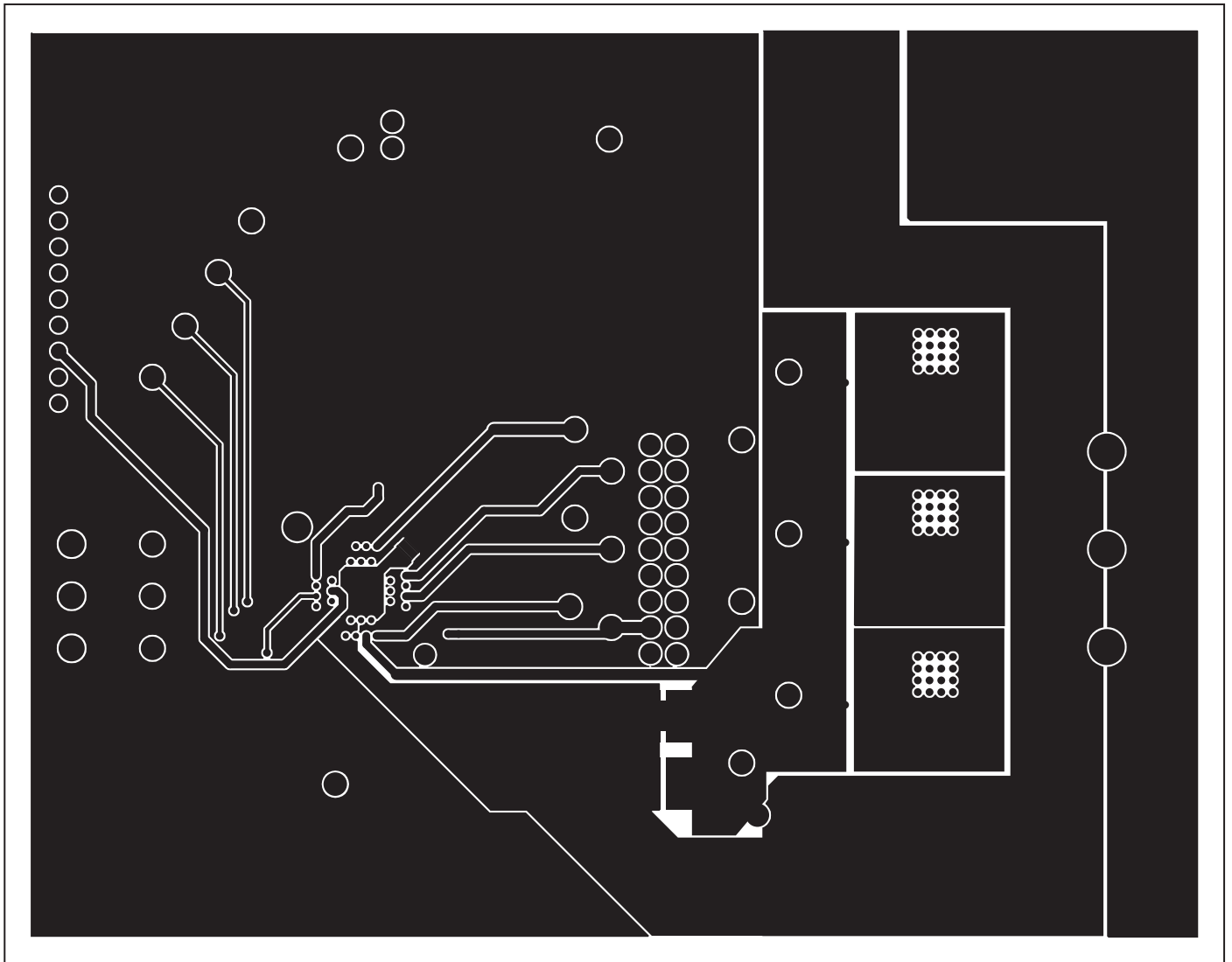
SCHEMATIC

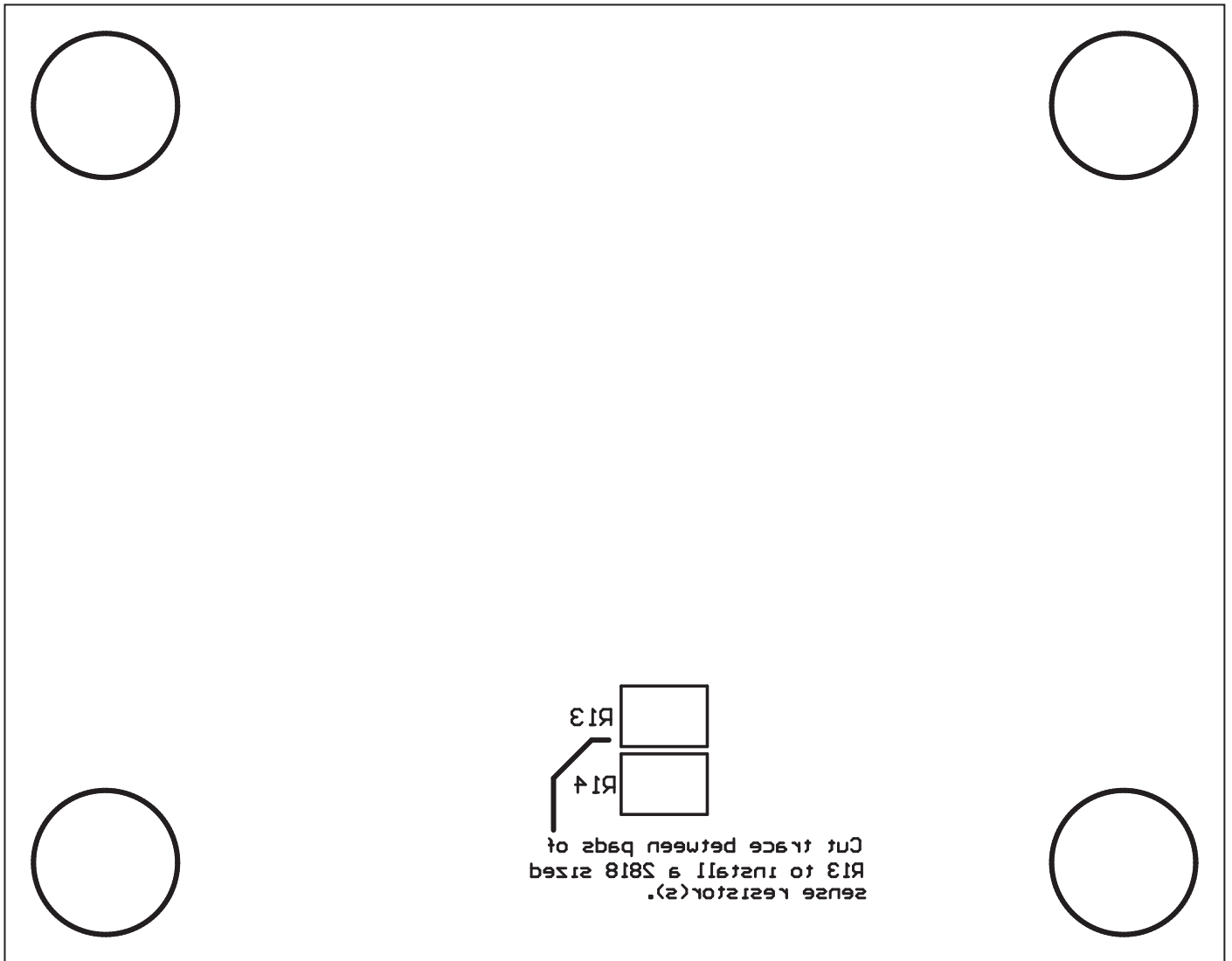


LAYOUT









BILL OF MATERIALS

All Devices MUST be ROHS Compliant

Item	Quantity	Designator	value	Description	PartType	Footprint
1	26	BRAKE, DIR, ENABLE, FAULT, GH_A, GH_B, GH_C, GHA, GHB, GHC, GL_A, GL_B, GL_C, GLA, GLB, GLC, HA, HB, HC, LSS, SA, SB, SC, SPEED, VBB, VDD		Large Test Point	Keystone Electronics 5010; Digikey 5010K-ND	PAD 57 125 TP HB
2	2	C1, C2	1000uF	50V Capacitor	United Chemi-Con EMVY500GDA102MMN0S; Digikey 565-2501-2-ND	UCC MN0 Cap
3	3	C4, C5, C11	0.1uF	50V Capacitor	TDK C2012X7R1H104K; Digikey 445-1349-1-ND	0805
4	1	C6	0.68uF	25V Capacitor	TDK CGA4J3X7R1E684K; Digikey 445-5686-1-ND	0805
5	1	C7	0.47uF	25V Capacitor	AVX 08053D474KAT2A; Digikey 478-1407-1-ND	0805
6	3	C8, C9, C10	0.033uF	50V Capacitor	Yageo CC0805KRX7R9BB333; Digikey 311-1374-1-ND	0805
7	1	C12	10uF	25V Capacitor	Murata GRM21BR61E106KA73L; Digikey 490-5523-1-ND	0805
8	1	CN1		3-Pin Screw Down Connector	Phoenix Contact 1714984; Digikey 277-1272-ND	MKDS 5/ 3-9,2 2
9	1	CN2, JMP1		10-Pin Male Header (Cut from 50-Pin Strip), Cut pins from 50-pin strip	Samtec TSW-150-07-T-S; Digikey SAM1035-50-ND	2-pos. shunt, 10pinUSBConn
10	1	CN3		4-Pin Screw Down connector	On Shore ED120/4DS; Digikey ED2227-ND	4-pin screw down connector2
11	1	CN4		Cut from 80-Pin Strip	Tyco 9-146257-0; Digikey A34977-40-ND	18-Pin Dual Row 0.1" Connector
12	1	D1		TVS Zener	Bourns SMBJ45A; Digikey SMBJ45ABCT-ND	DO-214AA
13	4			Bump on Foot	3M SJ-5303 (CLEAR); Digikey SJ5303-7-ND	Bump on Foot
14	1	J1		2-Pin Screw Down Connector	Phoenix Contact 1714971; Digikey 277-1271-ND	MKDS 5/ 2-9,5
15	1	LED1		Green LED	Lite-On LTST-C150GKT; Digikey 160-1169-1-ND	1206 LED
16	6	Q1, Q2, Q3, Q4, Q5, Q6		60V 40A 14.4mohm N-CH Mosfet	IR IRFH5406TR2PBF; Digikey IRFH5406TR2PBFCT-ND	PQFN 5x6 B
17	6	R1, R2, R3, R4, R5, R6	47.5	1/8W Resistor	Panasonic ERJ-6ENF47R5V; Digikey P47.5CCT-ND	0805
18	6	R7, R8, R9, R10, R11, R12	470k	1/8W Resistor	Panasonic ERJ-6ENF4703V; Digikey P470KCCT-ND	0805
19	5	R15, R16, R17, R18, R19	1k	1/8W Resistor	Panasonic ERJ-6GEYJ102V; Digikey P1.0KACT-ND	0805
20	1	R24	40.2k	1/8W Resistor	Vishay/Dale CRCW080540K2FKEA; Digikey 541-40.2KCCT-ND	0805
21	10			Shunts for JMP1 and CN4	3M 969102-0000-DA; Digikey 3M9580-ND	
22	1			pcb	85-0561-001 Rev. 2	
23	1	U2	5V	Linear Voltage Regulator	National LM2936HVMA-5.0/NOPB; Digikey LM2936HVMA-5.0/NOPB-ND	LM2936HVMA
24	2	W1, W2		22 Gauge Buss Wire (300mils above pcb)		Scope Ground
25	1	XU1		Socket for 3-Phase Motor Controller	28QN50K15050-B	28QN50K15050-B

Revision History

Number	Date	Description
–	September 6, 2016	Initial release

Copyright ©2016, Allegro MicroSystems, LLC

Allegro MicroSystems, LLC reserves the right to make, from time to time, such departures from the detail specifications as may be required to permit improvements in the performance, reliability, or manufacturability of its products. Before placing an order, the user is cautioned to verify that the information being relied upon is current.

Allegro's products are not to be used in any devices or systems, including but not limited to life support devices or systems, in which a failure of Allegro's product can reasonably be expected to cause bodily harm.

The information included herein is believed to be accurate and reliable. However, Allegro MicroSystems, LLC assumes no responsibility for its use; nor for any infringement of patents or other rights of third parties which may result from its use.

For the latest version of this document, visit our website:

www.allegromicro.com

