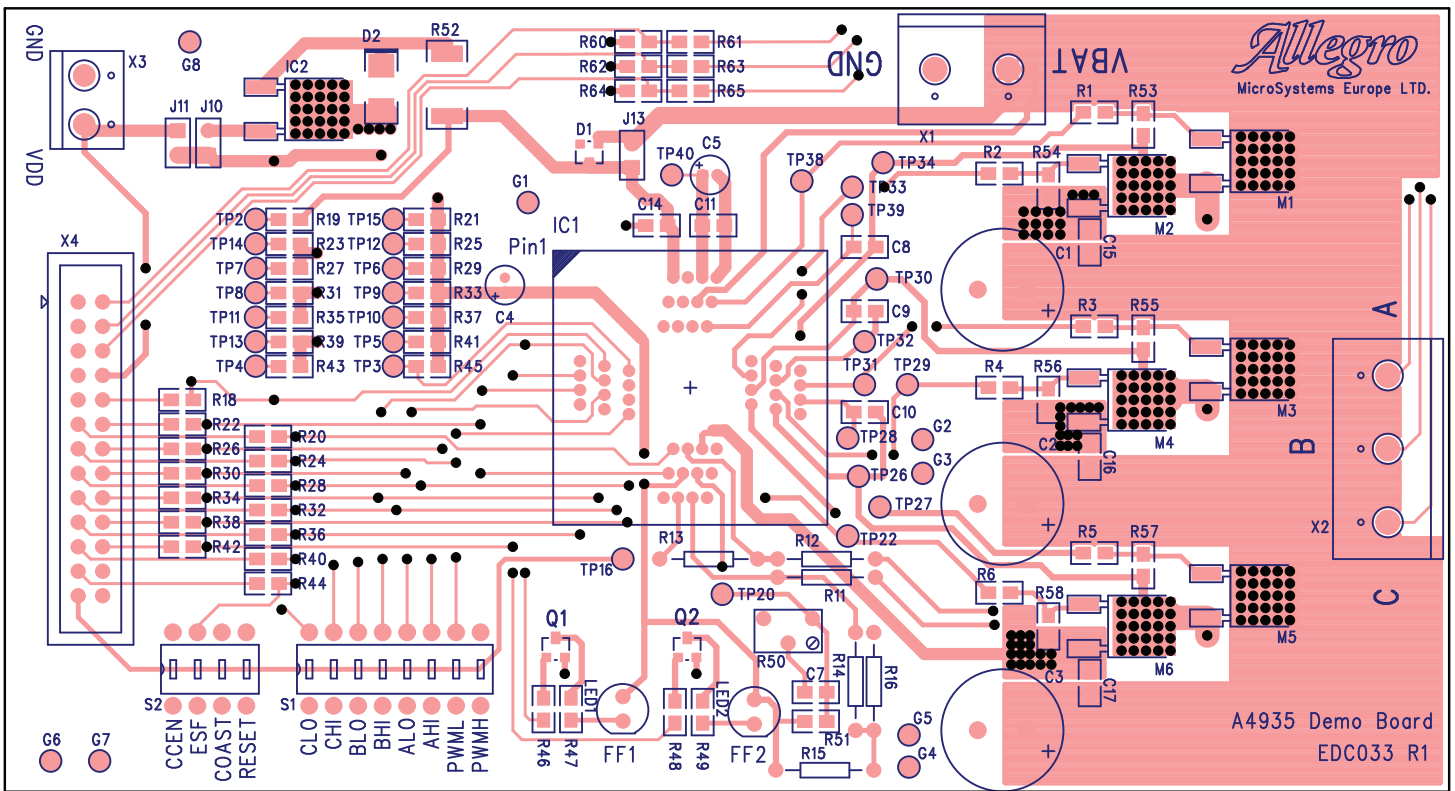
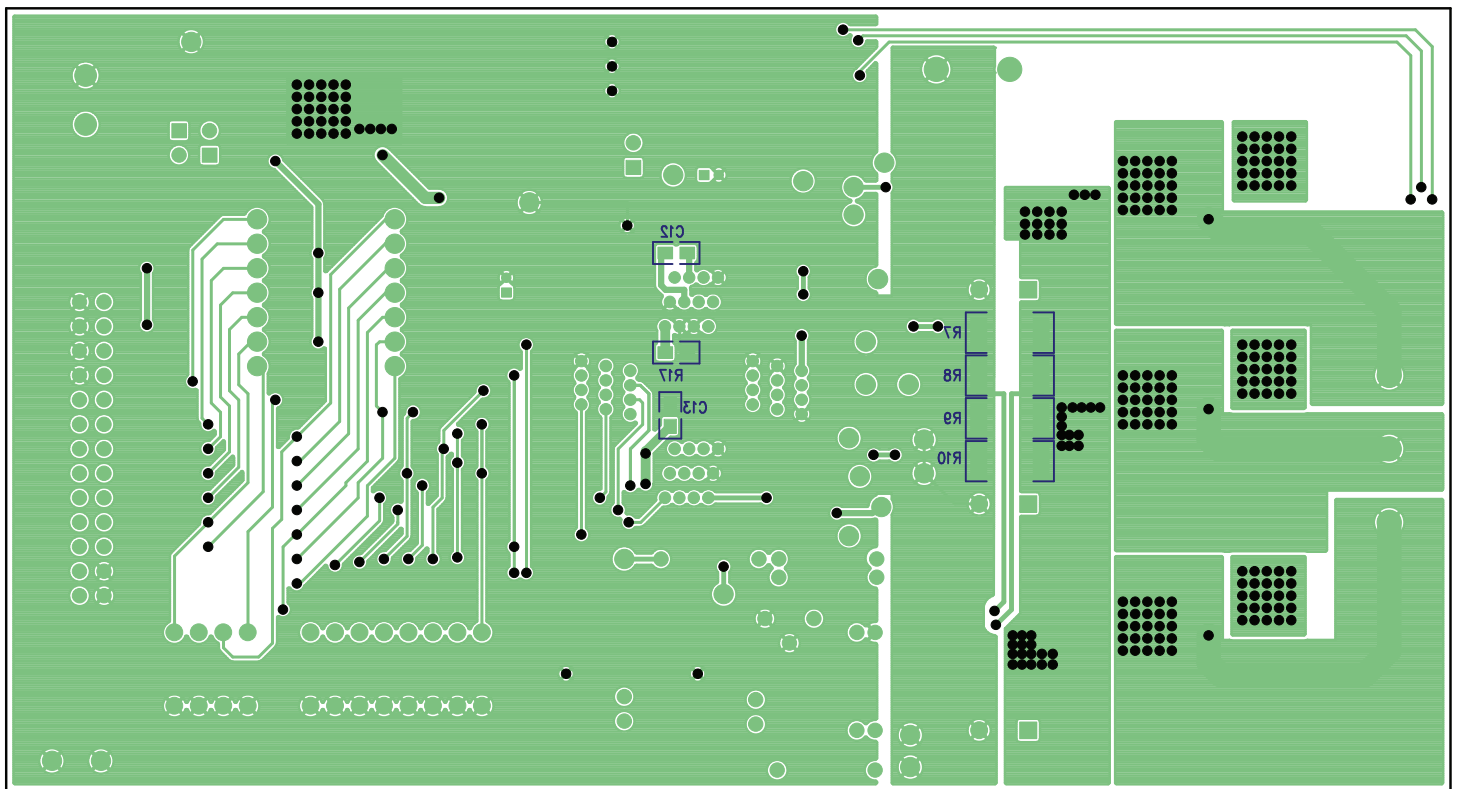




LAYOUT





## BILL OF MATERIALS

A4933 Demo Board Rev 1 Component List										All parts RoHS Compliant
Part	Value	Package	Description	RS Part	Part	Value	Package	Description	RS Part	
C1	1000uF	12.5mm, 5mm pitch	Alu, Min, Elytic, >50V, 105C	365-4329	R24	1k	0805	Chip Resistor	223-0427	
C2	1000uF	12.5mm, 5mm pitch	Alu, Min, Elytic, >50V, 105C	365-4329	R25	47k	0805	Chip Resistor	223-0641	
C3	1000uF	12.5mm, 5mm pitch	Alu, Min, Elytic, >50V, 105C	365-4329	R26	1k	0805	Chip Resistor	223-0427	
C4	10uF	4mm dia, 1.5mm pitch	Alu, Elytic, >16V 105C	414-9008	R27	47k	0805	Chip Resistor	223-0641	
C5	10uF	4mm dia, 1.5mm pitch	Alu, Elytic, >16V 105C	414-9008	R28	1k	0805	Chip Resistor	223-0427	
C7	1nF	0805	Ceramic Chip Cap >16V X7R	211-3552	R29	47k	0805	Chip Resistor	223-0641	
C8	470nF	0805	Ceramic Chip Cap >25V X5R	220-7988	R30	1k	0805	Chip Resistor	223-0427	
C9	470nF	0805	Ceramic Chip Cap >25V X5R	220-7988	R31	47k	0805	Chip Resistor	223-0641	
C10	470nF	0805	Ceramic Chip Cap >25V X5R	220-7988	R32	1k	0805	Chip Resistor	223-0427	
C11	100nF	0805	Ceramic Chip Cap >35V X5R	237-7100	R33	47k	0805	Chip Resistor	223-0641	
C12	470nF	0805	Ceramic Chip Cap >16V X5R	220-7988	R34	1k	0805	Chip Resistor	223-0427	
C13	100nF	0805	Ceramic Chip Cap >16V X5R	237-7100	R35	47k	0805	Chip Resistor	223-0641	
C14	100nF	0805	Ceramic Chip Cap >50V X5R	237-7100	R36	1k	0805	Chip Resistor	223-0427	
C15	100nF	0805	Ceramic Chip Cap >50V X5R	237-7100	R37	47k	0805	Chip Resistor	223-0641	
C16	100nF	0805	Ceramic Chip Cap >50V X5R	237-7100	R38	1k	0805	Chip Resistor	223-0427	
C17	100nF	0805	Ceramic Chip Cap >50V X5R	237-7100	R39	47k	0805	Chip Resistor	223-0641	
D1	BAT54	SOT23	Schottky Diode 0.2A 30V	436-7818	R40	1k	0805	Chip Resistor	223-0427	
D2	BZG03C27	SMA (DO214)	27V 3W Zener Diode	245-6310	R41	3k9	0805	Chip Resistor	223-0506	
G1, G8	\	1mm PCB Hole	x2 Test Terminals, Black	262-2179	R42	1k	0805	Chip Resistor	223-0427	
G2-G7	\	1.2mm Hole Pairs	Ground Bar, 20swg Tinned Copper Wire**	355-063	R43	3k9	0805	Chip Resistor	223-0506	
IC1	A4933	eLQFT48 in socket	Wells P/N 7007-048-X-07	\	R44	1k	0805	Chip Resistor	223-0427	
IC2	MC78M05ABDTG D-PAK		5V Regulator	516-5922	R45	47k	0805	Chip Resistor	223-0641	
J10	(Short)	2.54mm	Jumper Header 2-way 2.54mm	251-8086	R46	47k	0805	Chip Resistor	223-0641	
J11	(Open)	2.54mm	Jumper Header 2-way 2.54mm	251-8086	R47	2k2	0805	Chip Resistor	223-0477	
J13	(Short)	2.54mm	Jumper Header 2-way 2.54mm	251-8086	R48	47k	0805	Chip Resistor	223-0641	
LED1	HLMP-K101	3mm	LED Red 20mA	826-739	R49	2k2	0805	Chip Resistor	223-0477	
LED2	HLMP-K101	3mm	LED Red 20mA	826-739	R50	50k	6mm	Multiturn Cermet Trim Resistor	521-9293	
M1	IRFR2405PbF	DPAK (TO252AA)	MOSFET	543-2222	R51	10k	0805	Chip Resistor	223-0562	
M2	IRFR2405PbF	DPAK (TO252AA)	MOSFET	543-2222	R52	47R	2512	Chip Resistor 1W	224-0222	
M3	IRFR2405PbF	DPAK (TO252AA)	MOSFET	543-2222	R53	470k	0805	Chip Resistor	223-0786	
M4	IRFR2405PbF	DPAK (TO252AA)	MOSFET	543-2222	R54	470k	0805	Chip Resistor	223-0786	
M5	IRFR2405PbF	DPAK (TO252AA)	MOSFET	543-2222	R55	470k	0805	Chip Resistor	223-0786	
M6	IRFR2405PbF	DPAK (TO252AA)	MOSFET	543-2222	R56	470k	0805	Chip Resistor	223-0786	
PCB	EDC033R1	\	A4935 Demonstration Board PCB Rev1	\	R57	470k	0805	Chip Resistor	223-0786	
Q1	BC817	SOT223	NPN Bipolar Transistor	484-2252	R58	470k	0805	Chip Resistor	223-0786	
Q2	BC817	SOT223	NPN Bipolar Transistor	484-2252	<b>Optional - Add Additional Sense Resistors for Higher Currents</b>					
S1	8-Way	DIL-16	8-pole DIP Switch	342-118	R8	R022	2512 6.4x3.2mm	1W Chip Resistor	294-5602	
S2	4-Way	DIL-8	4-pole DIP Switch	342-102	R9	R022	2512 6.4x3.2mm	1W Chip Resistor	294-5602	
TPx	\	1mm PCB Hole	x29 Test Terminal, Red	262-2185	<b>Optional - Add Sense Amp resistors if required</b>					
X1	\	7.62mm	Phoenix 2-way Srew terminal	189-5966	R11*	3k9	Axial (Socket)	Metal Film	148-641	
X2	\	7.62mm	Phoenix 3-way Srew terminal	189-5972	R12*	3k9	Axial (Socket)	Metal Film	148-641	
X3	\	5.08mm	Phoenix 2-way Srew terminal	425-8720	R13*	82k	Axial (Socket)	Metal Film	148-950	
X4	\	26-pin	3M 26-way connector	542-9030	R14*	75k	Axial (Socket)	Metal Film	148-944	
R1	100R	0805	Chip Resistor	223-0297	R15*	75k	Axial (Socket)	Metal Film	148-944	
R2	100R	0805	Chip Resistor	223-0297	R16*	3k9	Axial (Socket)	Metal Film	148-641	
R3	100R	0805	Chip Resistor	223-0297	<b>Optional - Add Phase Voltage Potential Divider if required for bmf sensing</b>					
R4	100R	0805	Chip Resistor	223-0297	R60	10k	0805	Chip Resistor	223-0562	
R5	100R	0805	Chip Resistor	223-0297	R61	27k	0805	Chip Resistor	223-0613	
R6	100R	0805	Chip Resistor	223-0297	R62	10k	0805	Chip Resistor	223-0562	
R7	R022	2512	1W Chip Resistor	294-5602	R63	27k	0805	Chip Resistor	223-0613	
R10	R022	2512	1W Chip Resistor	294-5602	R64	10k	0805	Chip Resistor	223-0562	
R17	100k	0805	Chip Resistor	223-0691	R65	27k	0805	Chip Resistor	223-0613	
R18	1k	0805	Chip Resistor	223-0427	\	\	\	SIL sockets (*Socketed Parts)	267-7416	
R19	27k	0805	Chip Resistor	223-0613	\	\	\	Jumper Shorting Link (Red, x3/board)	251-8531	
R20	1k	0805	Chip Resistor	223-0427	\	\	\	Rubber Feet (x4/board)	248-451	
R21	47k	0805	Chip Resistor	223-0641	\	\	\			
R22	1k	0805	Chip Resistor	223-0427	\	\	\			
R23	47k	0805	Chip Resistor	223-0641	\	\	\			

\*\*Ground Bar = 20swg Tinned Copper Wire, Approx 10mm Height, Square Corner Formed:-



**Revision History**

Number	Date	Description
–	September 7, 2016	Initial release

Copyright ©2016, Allegro MicroSystems, LLC

Allegro MicroSystems, LLC reserves the right to make, from time to time, such departures from the detail specifications as may be required to permit improvements in the performance, reliability, or manufacturability of its products. Before placing an order, the user is cautioned to verify that the information being relied upon is current.

Allegro's products are not to be used in any devices or systems, including but not limited to life support devices or systems, in which a failure of Allegro's product can reasonably be expected to cause bodily harm.

The information included herein is believed to be accurate and reliable. However, Allegro MicroSystems, LLC assumes no responsibility for its use; nor for any infringement of patents or other rights of third parties which may result from its use.

For the latest version of this document, visit our website:

[www.allegromicro.com](http://www.allegromicro.com)

