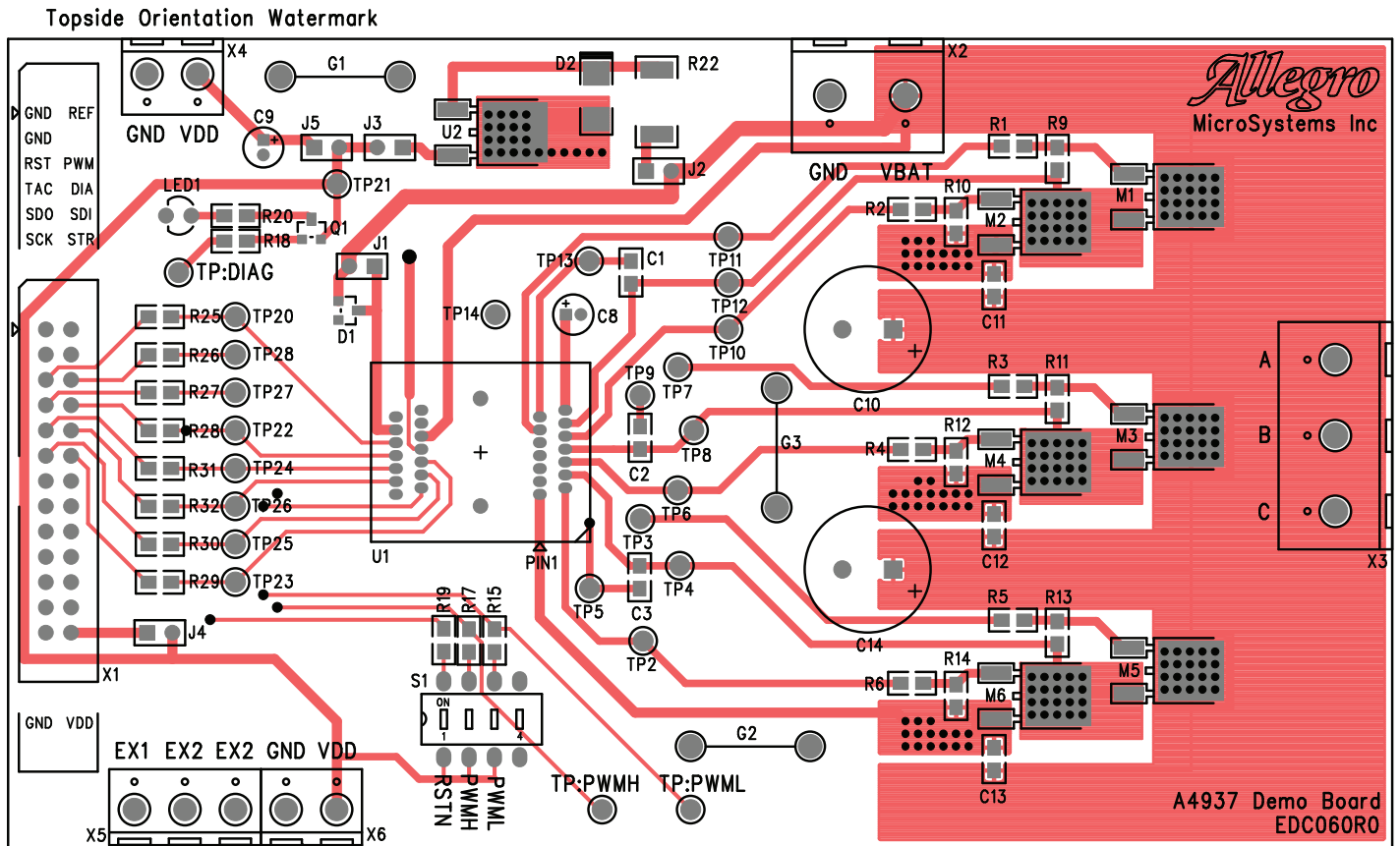
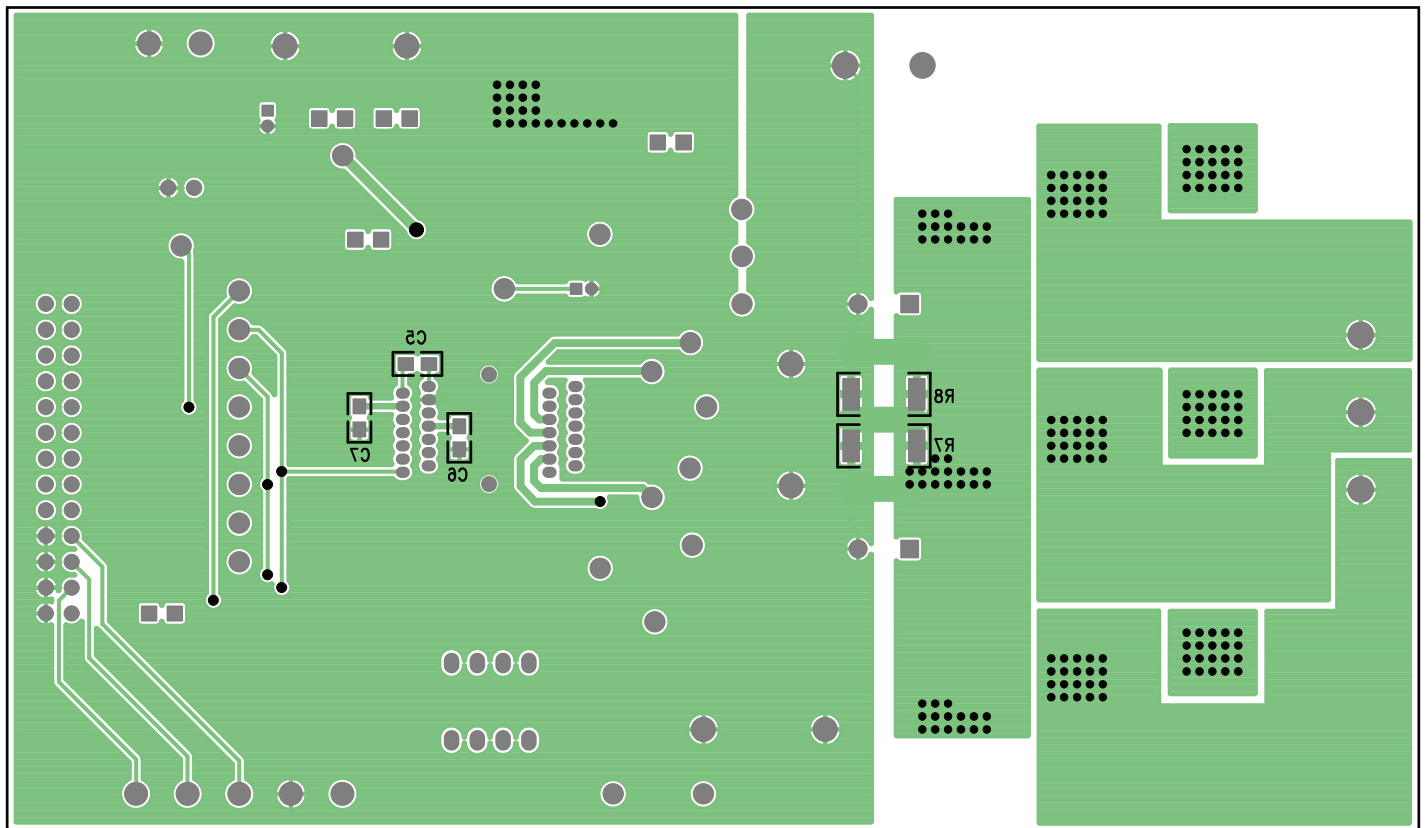


LAYOUT



Topside Orientation Watermark



BILL OF MATERIALS

Reference	Part	Value	Outline	Qty	RS
C1-C3	Capacitor : Ceramic Chip	220nF (25>V)	0805	3	390-996
C5 [Btm]	Capacitor : Ceramic Chip	470nF (25>V)	0805	1	648-0834
C6, C7 [Btm], C11-C13	Capacitor : Ceramic Chip	100nF (50>V)	0805	5	264-4416
C8	Capacitor : Electrolytic	4.7uF (25>V)	1.5mm Pitch, 4mm Dia	1	706-0462
C9	Capacitor : Electrolytic	10uF (16>V)	1.5mm Pitch, 4mm Dia	1	475-8911
C10, C14	Capacitor : Electrolytic	1,000uF (50>V)	5mm Pitch, 12.5mm Dia	2	684-2027
D1	Diode : Schottky 0.2A 30V	BAT54	SOT23	1	670-8781
D2	Diode : Zener 27V 3W	BZG03C27	DO-214AC	1	543-9879
G1-G3	Ground Bar (Tinned Copper Wire)	20swg	1.2mm Hole Pairs	(3)	355-063
J1-J5	Jumper Header : 2-pin	2-pin vertical	SIL : 0.1" Pitch x2	5	251-8086
LED1	LED : 3mm	Red	2.54mm Pitch	1	228-4979
M1-M6	MOSFET : N-channel	IRFR2405PBF	DPAK (TO-252)	6	543-2222
(M1-M6 alternative)	MOSFET : N-channel	IRFR48ZPBF	DPAK (TO-252)	6	688-7055
PCB	PCB : A4937 Demo Board	EDC060R0	\	1	\
Q1	Transistor : PNP	BC857B	SOT23	1	711-4869
R1-R6,	Resistor : Ceramic Chip	100R	0805	6	223-0297
R7, R8 [Btm]	Resistor : Ceramic Chip	R010	2512	2	683-6559
R9-R14	Resistor : Ceramic Chip	470k	0805	6	223-0786
R15, R17, R19	Resistor : Ceramic Chip	6k8	0805	3	223-0540
R18	Resistor : Ceramic Chip	47k	0805	1	223-0641
R20	Resistor : Ceramic Chip	3k3	0805	1	223-0499
R22	Resistor : Ceramic Chip	47R	2512	1	679-2449
R25-R32	Resistor : Ceramic Chip	1k	0805	8	223-0427
S1	Switch : 4-way DIP (Raised Actuator)	\	DIL8	1	639-4727
(S1 alternative)	Switch : 4-way DIP (Raised Actuator)	\	DIL8	1	682-0897
TPx	Test Point: 1mm	Red	1mm Hole	25	262-2185
U1	Socket : Enplas OTS-28-0.65-01	A4937	TSSOP28	1	\
U2	Voltage Regulator : 5V	MC78M05ABDTG	DPAK (TO-252)	1	516-5922
X1	Connector : IDC 26-way header	26-pin	2x13, 2.54mm pitch	1	542-8835
X2	Terminal : Screw	2-pin	2x1.2mm, 0.3" Pitch	1	189-5966
X3	Terminal : Screw	3-pin	3x1.2mm, 0.3" Pitch	1	189-5972
X4, X6	Terminal : Screw	2-pin	2x1mm, 0.2" Pitch	2	425-8720
X5	Terminal : Screw	3-pin	3x1mm, 0.2" Pitch	1	425-8736
(@J1-J5)	Link : Jumper Short Link	Red	2.54mm Pitch	5	251-8531
(@PCB)	Rubber Feet (x4/pcb) (12.7x3.5mm)	\	\	(4)	248-451

Revision History

Number	Date	Description
–	September 7, 2016	Initial release

Copyright ©2016, Allegro MicroSystems, LLC

Allegro MicroSystems, LLC reserves the right to make, from time to time, such departures from the detail specifications as may be required to permit improvements in the performance, reliability, or manufacturability of its products. Before placing an order, the user is cautioned to verify that the information being relied upon is current.

Allegro's products are not to be used in any devices or systems, including but not limited to life support devices or systems, in which a failure of Allegro's product can reasonably be expected to cause bodily harm.

The information included herein is believed to be accurate and reliable. However, Allegro MicroSystems, LLC assumes no responsibility for its use; nor for any infringement of patents or other rights of third parties which may result from its use.

For the latest version of this document, visit our website:

www.allegromicro.com

