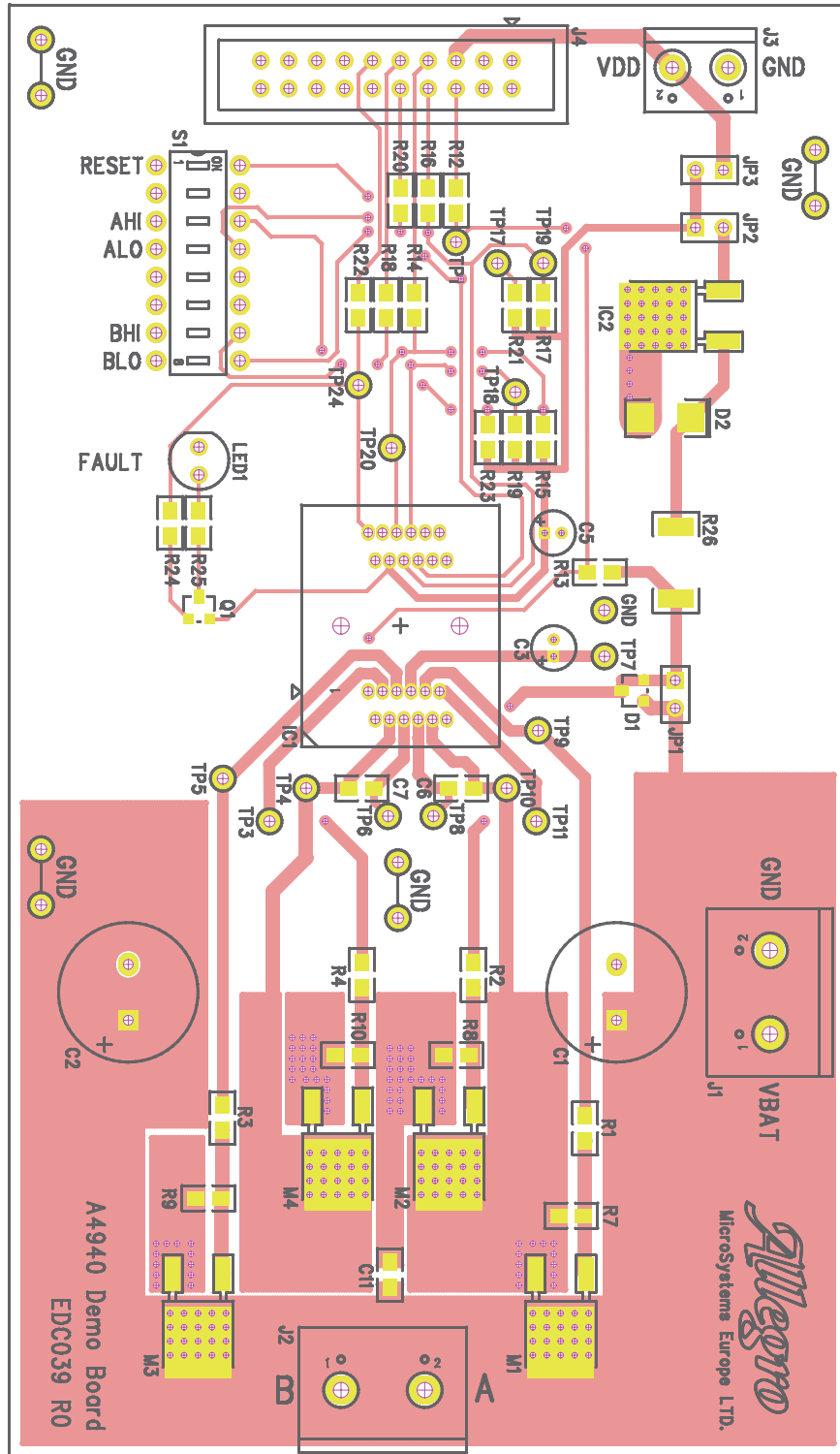
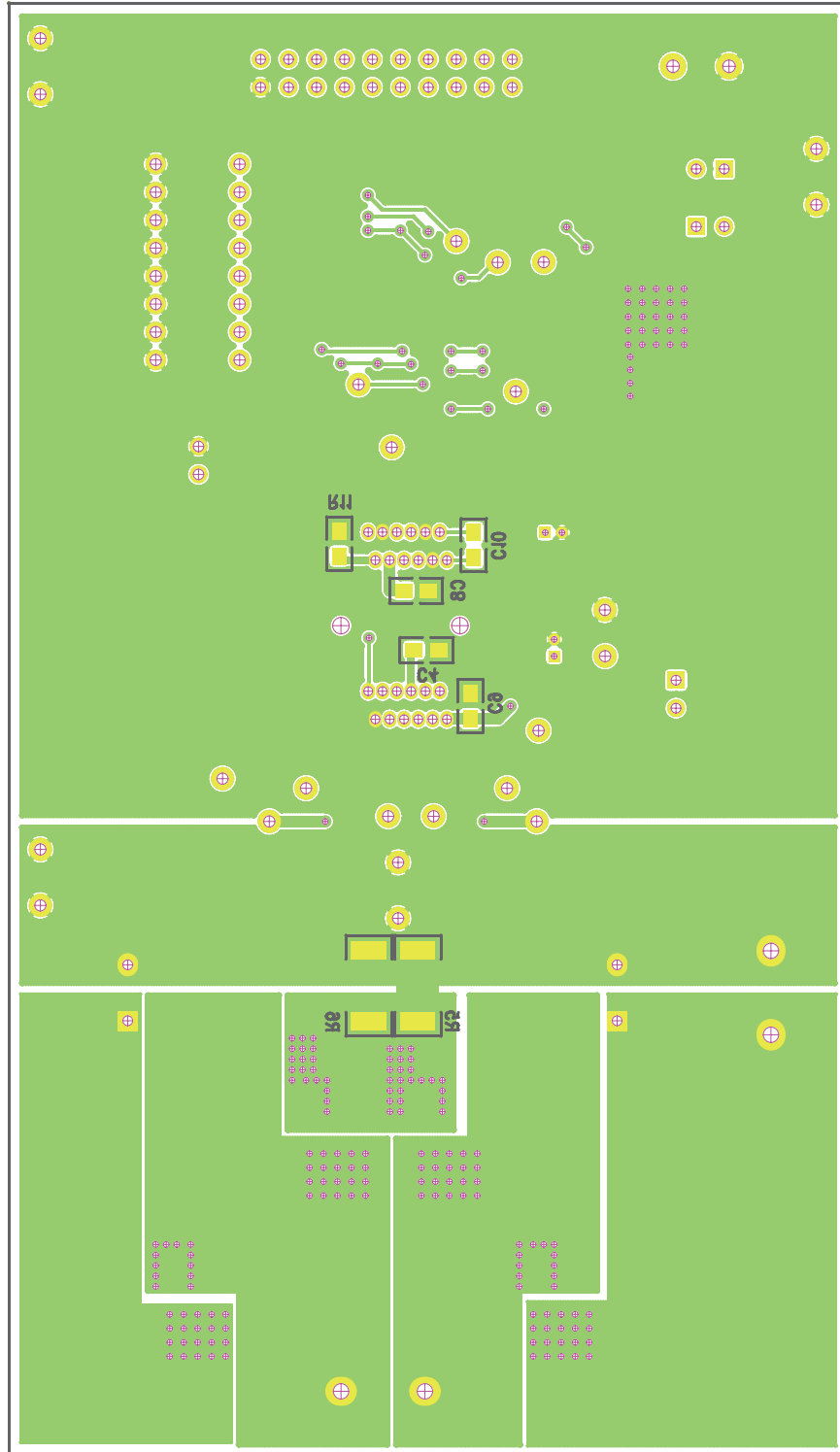


LAYOUT





BILL OF MATERIALS

A4940 Demo Board Rev 0 Component List					All parts RoHS Compliant				
Part	Value	Package	Description	RS Part	Part	Value	Package	Description	RS Part
C1	1000µF	12.5mm, 5mm pitch	Alu, Min, El'ytic, >50V, 105C	365-4329	R1	100R	0805	Chip Resistor	223-0297
C2	1000µF	12.5mm, 5mm pitch	Alu, Min, El'ytic, >50V, 105C	365-4329	R2	100R	0805	Chip Resistor	223-0297
C3	10µF	4mm dia, 1.5mm pitch	Alu, El'ytic, >16V 105C	414-9008	R3	100R	0805	Chip Resistor	223-0297
C4	100nF	0805	Ceramic Chip Cap >16V X5R	237-7100	R4	100R	0805	Chip Resistor	223-0297
C5	10µF	4mm dia, 1.5mm pitch	Alu, El'ytic, >16V 105C	414-9008	R7	470k	0805	Chip Resistor	223-0786
C6	220nF	0805	Ceramic Cap >35V X5R	624-2604	R8	470k	0805	Chip Resistor	223-0786
C7	220nF	0805	Ceramic Cap >35V X5R	624-2604	R9	470k	0805	Chip Resistor	223-0786
C8	100nF	0805	Ceramic Chip Cap >35V X5R	237-7100	R10	470k	0805	Chip Resistor	223-0786
C9	100nF	0805	Ceramic Chip Cap >16V X5R	237-7100	R11	100k	0805	Chip Resistor	223-0691
C10	470nF	0805	Ceramic Chip Cap >25V X5R	220-7988	R12	1k	0805	Chip Resistor	223-0427
C11	100nF	0805	Ceramic Chip Cap >50V X5R	237-7100	R13	27k	0805	Chip Resistor	223-0613
					R14	1k	0805	Chip Resistor	223-0427
D1	BAT54	SOT23	Schottky Diode 0.2A 30V	436-7818	R15	47k	0805	Chip Resistor	223-0641
D2	BZG03C27	SMA (DO214)	27V 3W Zener Diode	245-6310	R16	1k	0805	Chip Resistor	223-0427
					R17	47k	0805	Chip Resistor	223-0641
J1	7.62mm		Pheonix 2-way Srew terminal	189-5966	R18	1k	0805	Chip Resistor	223-0427
J2	7.62mm		Pheonix 2-way Srew terminal	189-5966	R19	47k	0805	Chip Resistor	223-0641
J3	5.08mm		Pheonix 2-way Srew terminal	425-8720	R20	1k	0805	Chip Resistor	223-0427
J4	20-pin		3M 20-way connector	542-9024	R21	47k	0805	Chip Resistor	223-0641
JP1	2 x 1mm plt, 2.54mm ptch		Jumper 2.54mm	251-8503	R22	1k	0805	Chip Resistor	223-0427
JP2	2 x 1mm plt, 2.54mm ptch		Jumper 2.54mm	251-8503	R23	3k9	0805	Chip Resistor	223-0506
JP3	2 x 1mm plt, 2.54mm ptch		Jumper 2.54mm	251-8503	R24	47k	0805	Chip Resistor	223-0641
					R25	2k2	0805	Chip Resistor	223-0477
					R26	47R	2512	Chip Resistor 1W	224-0222
LED1		3mm	LED Red 20mA	826-739					
M1	IRFR2405PbF	DPAK (TO252AA)	MOSFET	543-2222	S1	8-Way	DIL-16	8-pole DIP Switch	342-118
M2	IRFR2405PbF	DPAK (TO252AA)	MOSFET	543-2222					
M3	IRFR2405PbF	DPAK (TO252AA)	MOSFET	543-2222	IC1	A4940	eTSSOP 24 socket	enplas p/n: OTS-24(28)-0.65-01	
M4	IRFR2405PbF	DPAK (TO252AA)	MOSFET	543-2222	IC2	MC78M05ABDTG	D-PAK	5V Regulator	625-6338
Q1	BC807	SOT23	PNP Bipolar Transistor	113-0219					
					TPx		1mm PCB Hole	Test Terminal	262-2185
					Gx		20swg wire	Ground Bar	355-063
					PCB	EDC039R0			
Add Sense Resistors if required (Note: cut link under R5 to use sense resistors)									
R5	R022	2512 6.4x3.2mm	1W Chip Resistor	294-5602					
R6	R022	2512 6.4x3.2mm	1W Chip Resistor	294-5602					

Revision History

Number	Date	Description
–	September 7, 2016	Initial release

Copyright ©2016, Allegro MicroSystems, LLC

Allegro MicroSystems, LLC reserves the right to make, from time to time, such departures from the detail specifications as may be required to permit improvements in the performance, reliability, or manufacturability of its products. Before placing an order, the user is cautioned to verify that the information being relied upon is current.

Allegro's products are not to be used in any devices or systems, including but not limited to life support devices or systems, in which a failure of Allegro's product can reasonably be expected to cause bodily harm.

The information included herein is believed to be accurate and reliable. However, Allegro MicroSystems, LLC assumes no responsibility for its use; nor for any infringement of patents or other rights of third parties which may result from its use.

For the latest version of this document, visit our website:

www.allegromicro.com

