

ALL COMPONENTS MUST BE ROHS COMPLIANT.

USE LEAD FREE SOLDER

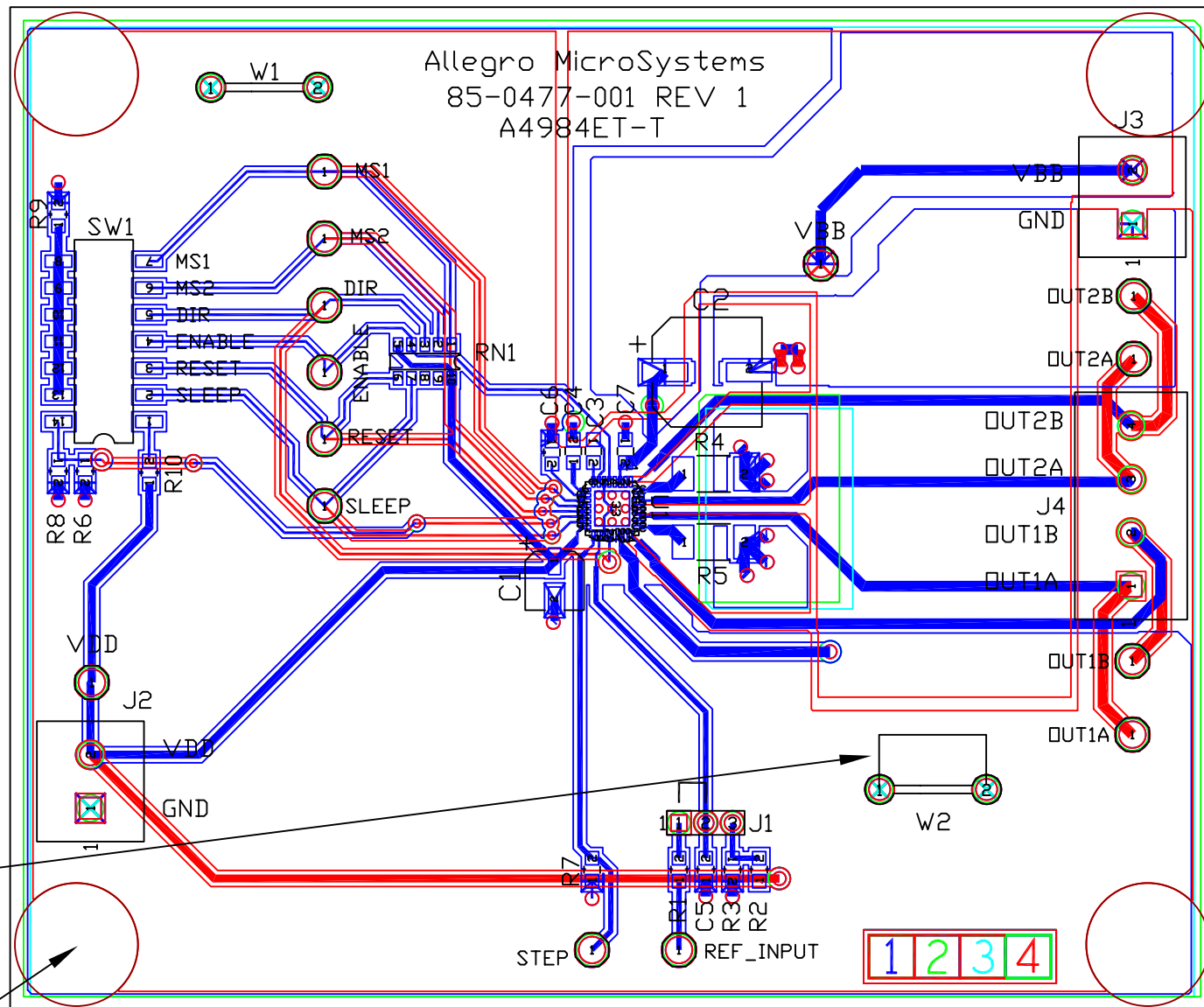
VIEW IS TOP SILKSCREEN

THIS BOARD HAS 4 LAYERS

U1 THERMAL PAD SHOULD BE SOLDERED DIRECTLY TO THE EXPOSED SURFACE ON THE PCB

MAKE W1 & W2 WIRES A FINISHED HEIGHT OF .25"-.4" FROM THE BOARD.

PLACE BUMPONS ON BOTTOM 4 CORNERS OF PC BOARD.



TOLERANCE UNLESS OTHERWISE SPECIFIED +/-

TITLE BOARD, DEMO, A4984ET		
DRAWING NO. 85-0477-000-ASY	REV. 1	
TE Joyce Roche		
DO NOT SCALE DRAWING	DATE 6/09/10	
SIZE A	SCALE NONE	SHEET 1 of 1

Item	Qty	Reference	Value	Manufacturer	Manufacturer_P/N	Description	PCB Footprint
1	1	C1	10uf	Panasonic - ECG	EEE-1EA100SR	CAP ELECT 10UF 25V VS SMD	smd200elec146
2	1	C2	47uF	Panasonic - ECG	EEE-1HA470P	CAP ELECT 47UF 50V VS SMD	smd400elec
3	3	C3,C4,C5	0.1uF	Kemet	C0805C104K1RACTU	CAP CER .10UF 100V X7R 0805	smd0805
4	2	C6,C7	0.22uF	Kemet	C0805C224K5RACTU	CAP CER .22UF 50V X7R 0805	smd0805
5	14	OUT1B,OUT1A, MS1,OUT2B, OUT2A,MS2, VDD,VBB,STEP, SLEEP,RESET, REF_INPUT, ENABLE,DIR	tp	Keystone Electronics	5010	TEST POINT PC MULTI PURPOSE RED	tp
6	1	J1	CON3	Samtec Inc	TSW-103-07-G-S	CONN HEADER 3POS .100" SGL GOLD	header3
7	2	J2,J3	CON2	On Shore Technology Inc	ED120/2DS	TERMINAL BLOCK 5.08MM VERT 2POS	tb-ED120-2
8	1	J4	Outputs	On Shore Technology Inc	ED120/4DS	TERMINAL BLOCK 5.08MM VERT 4POS	tb-ED120-4
9	1	RN1	745C101472JPTR	CTS Resistor Products	745C101472JPTR	RES ARRAY 4.7K OHM 10TRM BSS SMD	SMD10P_126X50
10	1	R1	30K	Rohm Semiconductor	MCR10EZPF3002	RES 30.0K OHM 1/8W 1% 0805 SMD	smd0805
11	1	R2	20K	Rohm Semiconductor	MCR10EZPF2002	RES 20.0K OHM 1/8W 1% 0805 SMD	smd0805
12	1	R3	36.5K	Rohm Semiconductor	MCR10EZPF3652	RES 36.5K OHM 1/8W 1% 0805 SMD	smd0805
13	2	R4,R5	0.27	Panasonic - ECG	ERJ-1TRQFR27U	RES .27 OHM 1W 1% 2512 SMD	smd2512
14	1	R6	16.2K	Rohm Semiconductor	MCR10EZPF1622	RES 16.2K OHM 1/8W 1% 0805 SMD	smd0805
15	1	R7	4.7K	Rohm Semiconductor	MCR10EZPF4701	RES 4.70K OHM 1/8W 1% 0805 SMD	smd0805
16	1	R8	TBD	To Be Determined	To Be Determined	Do Not Kit, Do Not Install	smd0805
17	2	R9,R10	0 ohm	Rohm Semiconductor	MCR10EZPJ000	RES 0.0 OHM 1/8W 5% 0805 SMD	smd0805
18	1	SW1	SW DIP-7	C&K Components	SDA07H1SKD	SWITCH DIP TOP SLIDE 7POS SMD	smd_dip14_3
19	1	U1	A4984ET-32PIN	Allegero MicroSystems	A4984ET	DMOS Microstepping Driver	mlp-qfn33
20	2	W1,W2	GND BUS	Any	Any	20 Awg Solid Bus Wire Finished height of .25"-.4" from board	TP4
21	4	Bumpons		3m/ESM	SJ5003	Bumpon,Hemisphere, Black Place on bottom 4 conners of PC board	
22	1	PCB	85-0477-001			A4984ET-T, Printed Circuit Board, ROHS	

