

ALL COMPONENTS MUST
BE ROHS COMPLIANT.

USE LEAD FREE SOLDER

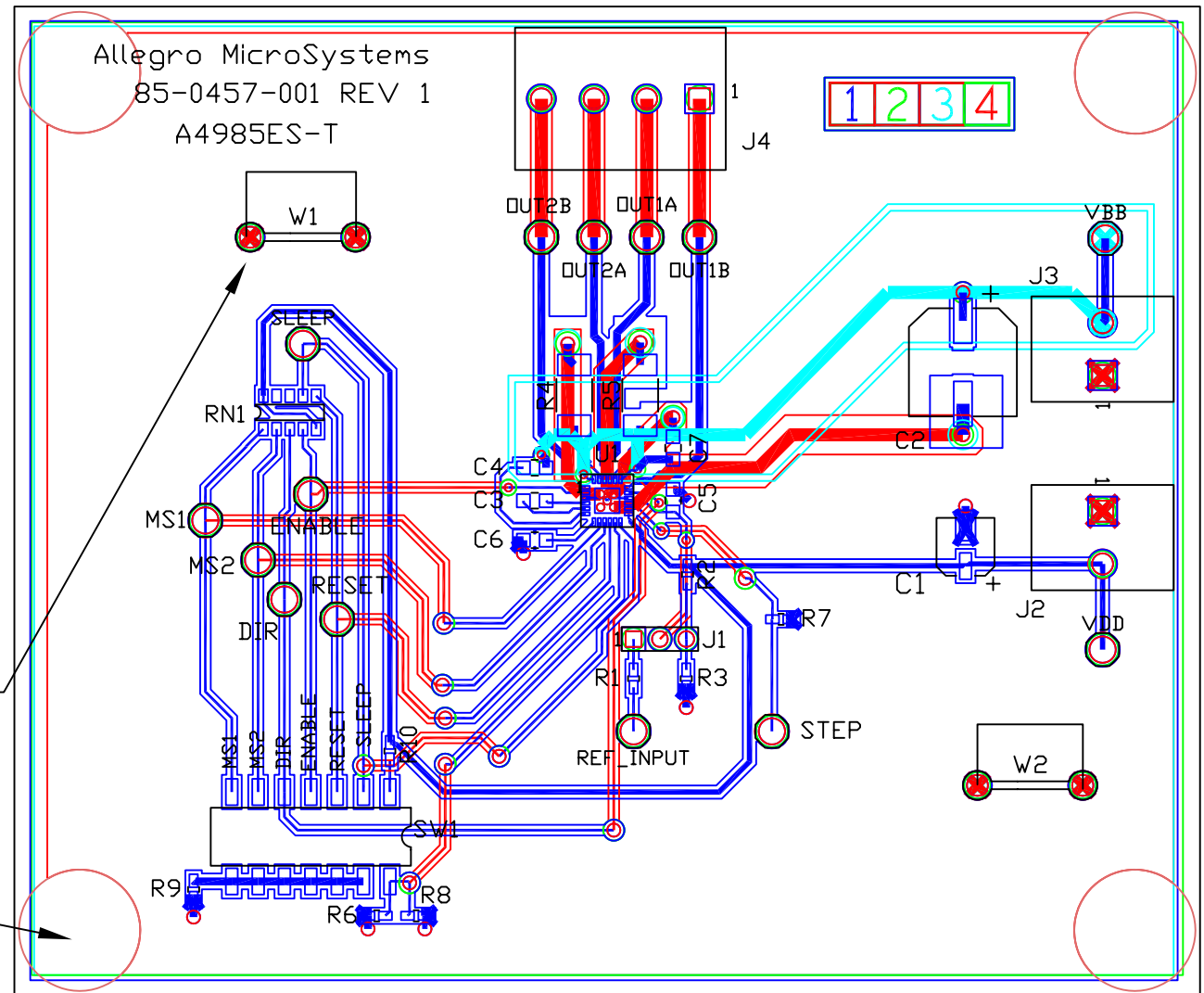
VIEW IS TOP SILKSCREEN

THIS BOARD HAS 4 LAYERS

U1 THERMAL PAD SHOULD
BE SOLDERED DIRECTLY TO THE
EXPOSED SURFACE ON THE PCB.

MAKE W1 & W2 WIRES A FINISHED
HEIGHT OF .25" - .4" FROM
THE BOARD.

PLACE BUMPONS ON BOTTOM 4
CORNERS OF PC BOARD.



BOX 15036
WORCESTER, MA 01615-0036

TOLERANCE UNLESS OTHERWISE SPECIFIED +/-

TITLE BOARD, DEMO, A4985ES

DRAWING NO. 85-0457-000-ASY

REV. 1

TE Joyce Roche

DO NOT SCALE DATE 06/03/09
DRAWING

SIZE A

SCALE NONE

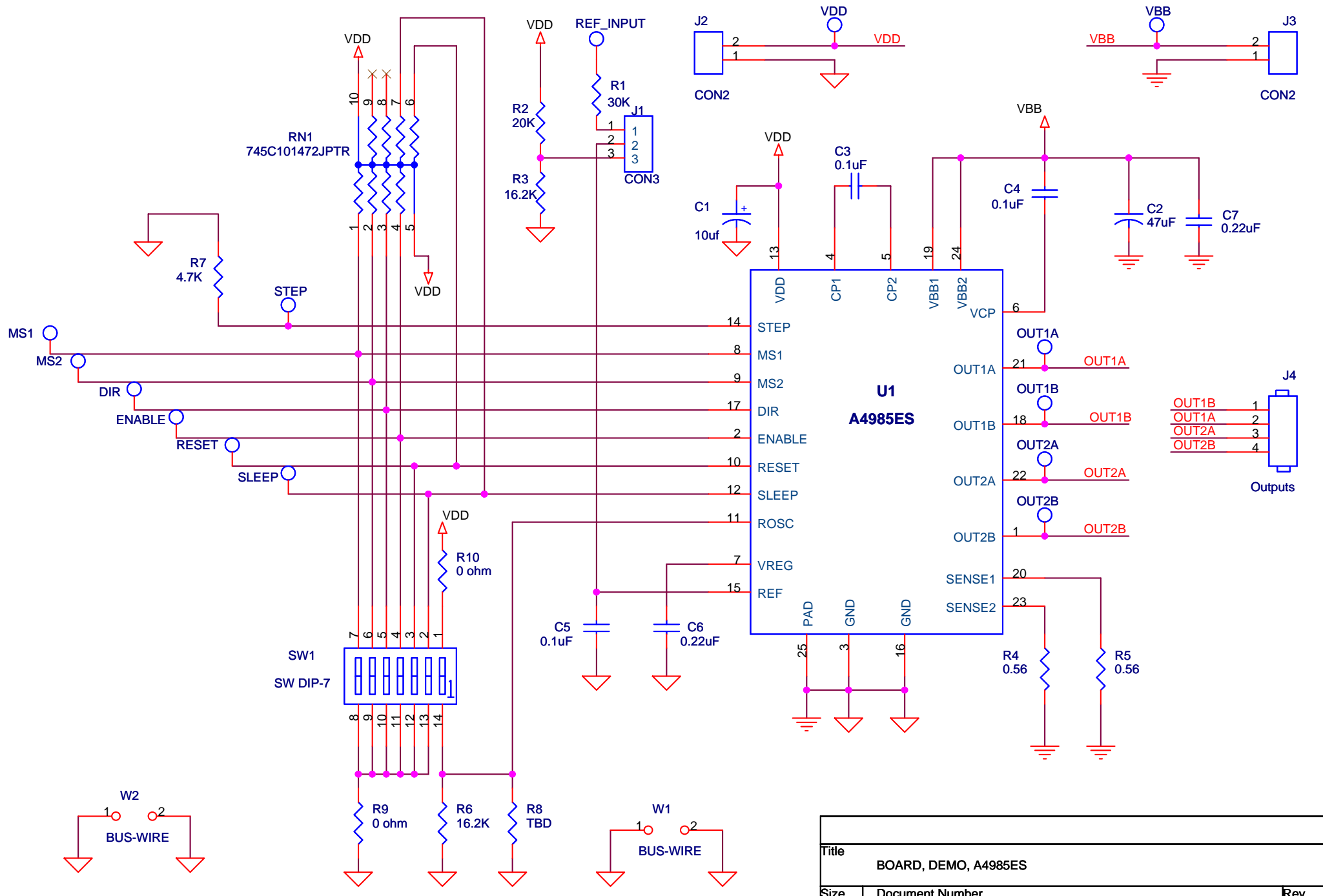
SHEET 1 of 1

ALL COMPONENTS MUST BE ROHS COMPLIANT

Joyce Roche

Item	Qty	Part Reference	Value	Manufacturer	Manufacturer Number	Description	PCB Footprint
13	2	R4,R5	0.56	Panasonic - ECG	ERJ-1TRQFR56U	RES .56 OHM 1W 1% 2512 SMD	SMD2512
14	1	R6	16.2K	Yageo	RC0603FR-0716K2L	RES16.2K OHM 1/10W 1% 0603 SMD	SMD0603
15	1	R7	4.7K	Rohm	MCR03EZPJ472	RES 4.7K OHM 1/10W 5% 0603 SMD	SMD0603
16	1	R8	TBD			To Be Determined Do Not Kit Do Not Install	SMD0603
17	2	R9, R10	0 ohm	Yageo	RC0603JR-070RL	RES 0.0 OHM 1/10W 5% 0603 SMD	SMD0603
18	1	SW1	SW DIP 7	C&K Components	SD07H1SB	SWITCH DIP SPST SEALED 7POS SMD	smd_dip14_3
19	1	U1	A4985SES	Allegro MicroSystems	A4985SES	DMOS Microstepping Driver with Translator and Overcurrent Protection	qfn25l-4x4-50p
20	1	PCB	85-0457-001			A4985ES-T, Printed Circuit Board, ROHS	
21	4		Bumpons	3m/ESM	SJ5003	Bumpon, Hemisphere, Black Place on bottom 4 corners of PC board	
22	2	W1, W2	GND BUS	any	any	20 AWG Solid Bus Wire, about 1"long Finished height of .25"-.4" from board	tp4
23	1	for J1	Shunt	Sullins Electronics	STC02SYAN	CONN,JUMPER SHORTING TIN PLACE BETWEEN PINS 1 AND 2	

Replacement for capacitors and resistors must be equivalent to listed component.



Title		
BOARD, DEMO, A4985ES		
Size	Document Number	Rev
A	85-0457-000-SCH	1
Date:	Friday, May 29, 2009	Sheet 1 of 1