

85-0501
 Title: BOARD, DEMO, A4985ET
 Originator: Joyce Roche

**DESIGN COVER SHEET
 ROHS COMPLIANT PCB**

2/12/2010
 Page 1 of 1

			Design Rev >	OI							
Doc	Size	Format	Name, Description	Sub - Document Rev							
000-ASY	A	PDF	PCB Assembly Drawing	1							
000-BOM	A	PDF	Bill of Materials	1							
000-SCH	A	PDF	Schematic	1							
001-FAB	N/A	ZIP	PCB Fabrication Files	1							
001-BLD	A	ZIP	PCB Assembly Build	1							

ALL COMPONENTS MUST
BE ROHS COMPLIANT.

USE LEAD FREE SOLDER

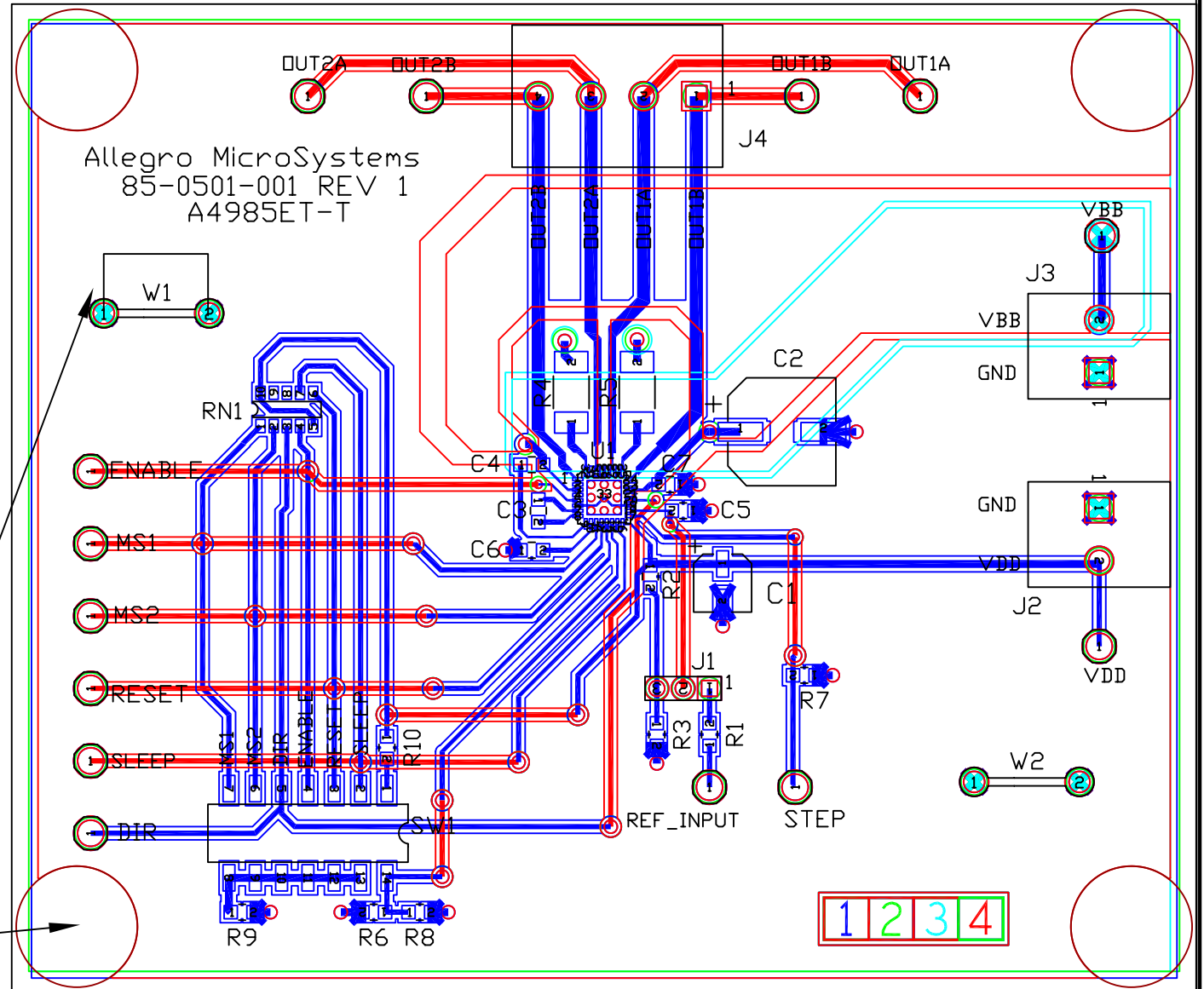
VIEW IS TOP SILKSCREEN

THIS BOARD HAS 4 LAYERS

U1 THERMAL PAD SHOULD BE
SOLDERED DIRECTLY TO THE
EXPOSED SURFACE ON THE PCB

MAKE W1 & W2 WIRES A
FINISHED HEIGHT OF .25"-.4"
FROM THE BOARD.

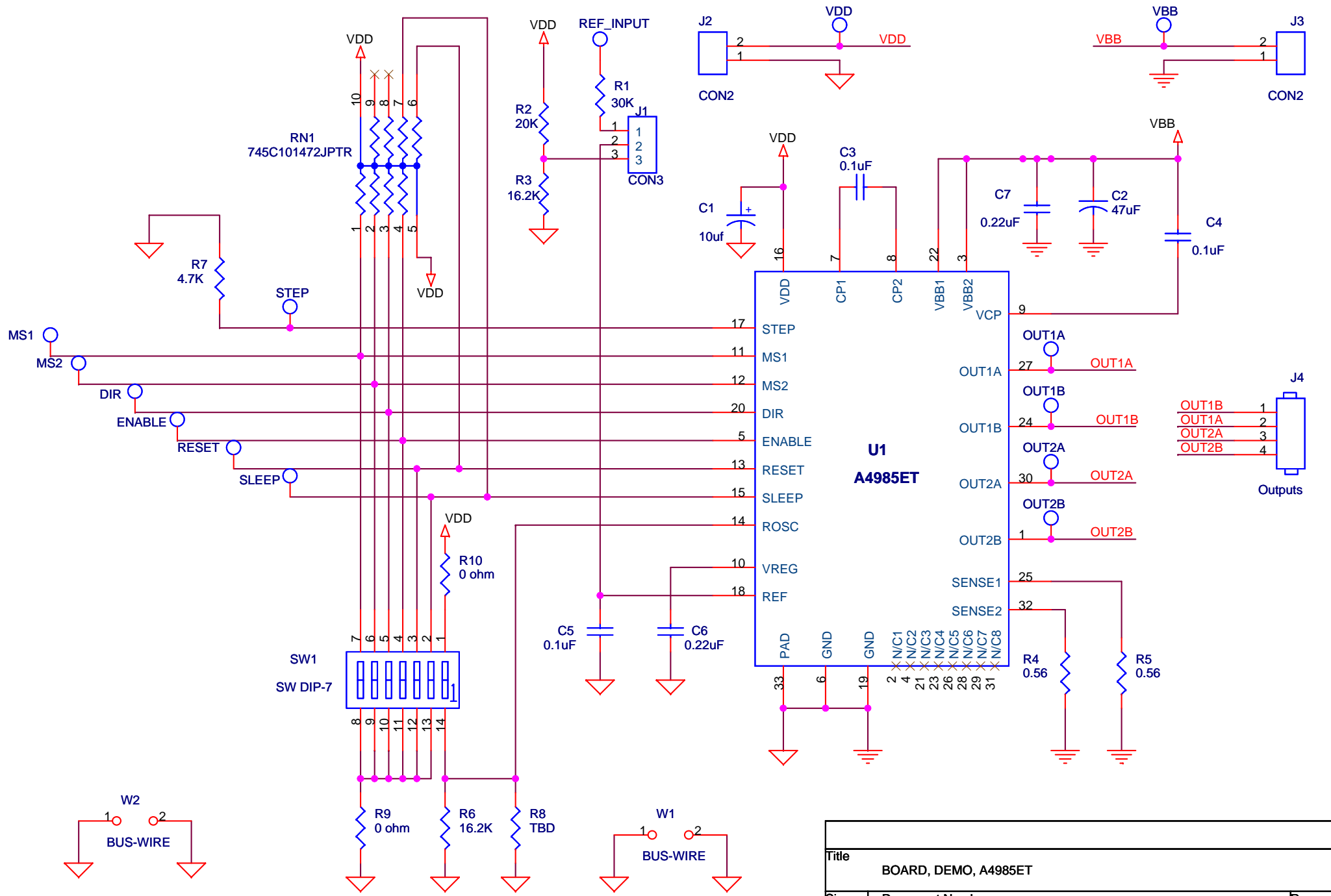
PLACE BUMPONS ON BOTTOM 4
CORNERS OF PC BOARD.



TOLERANCE UNLESS OTHERWISE SPECIFIED +/-

TITLE BOARD, DEMO, A4985ET			
DRAWING NO. 85-0501-000-ASY		REV. 1	
TE Joyce Roche			
DO NOT SCALE DRAWING		DATE 06/09/10	
SIZE A	SCALE NONE	SHEET 1	of 1

Item	Qty	Reference	Value	Manufacturer	Manufacturer-P/N	Description	PCB Footprint
1	1	C1	10uf	Panasonic - ECG	EEE-1EA100SR	CAP ELECT 10UF 25V VS SMD	smd200elec146
2	1	C2	47uF	Panasonic - ECG	EEE-1HA470P	CAP ELECT 47UF 50V VS SMD	smd400elec
3	3	C3,C4,C5	0.1uF	Kemet	C0805C104K1RACTU	CAP CER .10UF 100V X7R 0805	smd0805
4	2	C6,C7	0.22uF	Kemet	C0805C224K5RACTU	CAP CER .22UF 50V X7R 0805	smd0805
5	14	OUT1B,OUT1A, MS1,OUT2B, OUT2A,MS2, VDD,VBB,STEP, SLEEP,RESET, REF_INPUT, ENABLE,DIR	tp	Keystone Electronics	5010	TEST POINT PC MULTI PURPOSE RED	tp
6	1	J1	CON3	Samtec Inc	TSW-103-07-G-S	CONN HEADER 3POS .100" SGL GOLD	header3
7	2	J2,J3	CON2	On Shore Technology Inc	ED120/2DS	TERMINAL BLOCK 5.08MM VERT 2POS	tb-2sv-02
8	1	J4	Outputs	On Shore Technology Inc	ED120/4DS	TERMINAL BLOCK 5.08MM VERT 4POS	tb-2sv-04
9	1	RN1	745C101472JPTR	CTS Resistor Products	745C101472JPTR	RES ARRAY 4.7K OHM 10TRM BSS SMD	SMD10P_126X50
10	1	R1	30K	Rohm Semiconductor	MCR10EZPF3002	RES 30.0K OHM 1/8W 1% 0805 SMD	smd0805
11	1	R2	20K	Rohm Semiconductor	MCR10EZPF2002	RES 20.0K OHM 1/8W 1% 0805 SMD	smd0805
12	2	R3,R6	16.2K	Rohm Semiconductor	MCR10EZHF1622	RES 16.2K OHM 1/8W 1% 0805 SMD	smd0805
13	2	R4,R5	0.56	Panasonic - ECG	ERJ-1TRQFR56U	RES .56 OHM 1W 1% 2512 SMD	smd2512
14	1	R7	4.7K	Rohm Semiconductor	MCR10EZPF4701	RES 4.70K OHM 1/8W 1% 0805 SMD	smd0805
15	1	R8	TBD	To Be Determined	To Be Determined	Do Not Kit, Do Not Install	smd0805
16	2	R9,R10	0 ohm	Rohm Semiconductor	MCR10EZPJ000	RES 0.0 OHM 1/8W 5% 0805 SMD	smd0805
17	1	SW1	SW DIP-7	C&K Components	SD07H1SB	SWITCH DIP SPST SEALED 7POS SMD	smd_dip14_3
18	1	U1	A4985ET	Allegro MicrSystems	A4985SET	DMOS Microstepping Driver- 32 pin QFN	mlp-qfn33
19	2	W1,W2	BUS-WIRE	Any	Any	20 Awg Solid Bus Wire Finished Height of .25"-.4" from	TP4
20	4	Bumpons		3m/esm	SJ5003	BUMPON,HEMISPHERE,BLACK PLACE ON BOTTOM 4 CONNERS OF PCB	
21	1	PCB	85-0501-001			A4985ET-T, PRINTED CIRCUIT BOARD,ROHS	



Title		
BOARD, DEMO, A4985ET		
Size	Document Number	Rev
A	85-0501-000-SCH	1
Date:	Thursday, February 11, 2010	Sheet 1 of 1