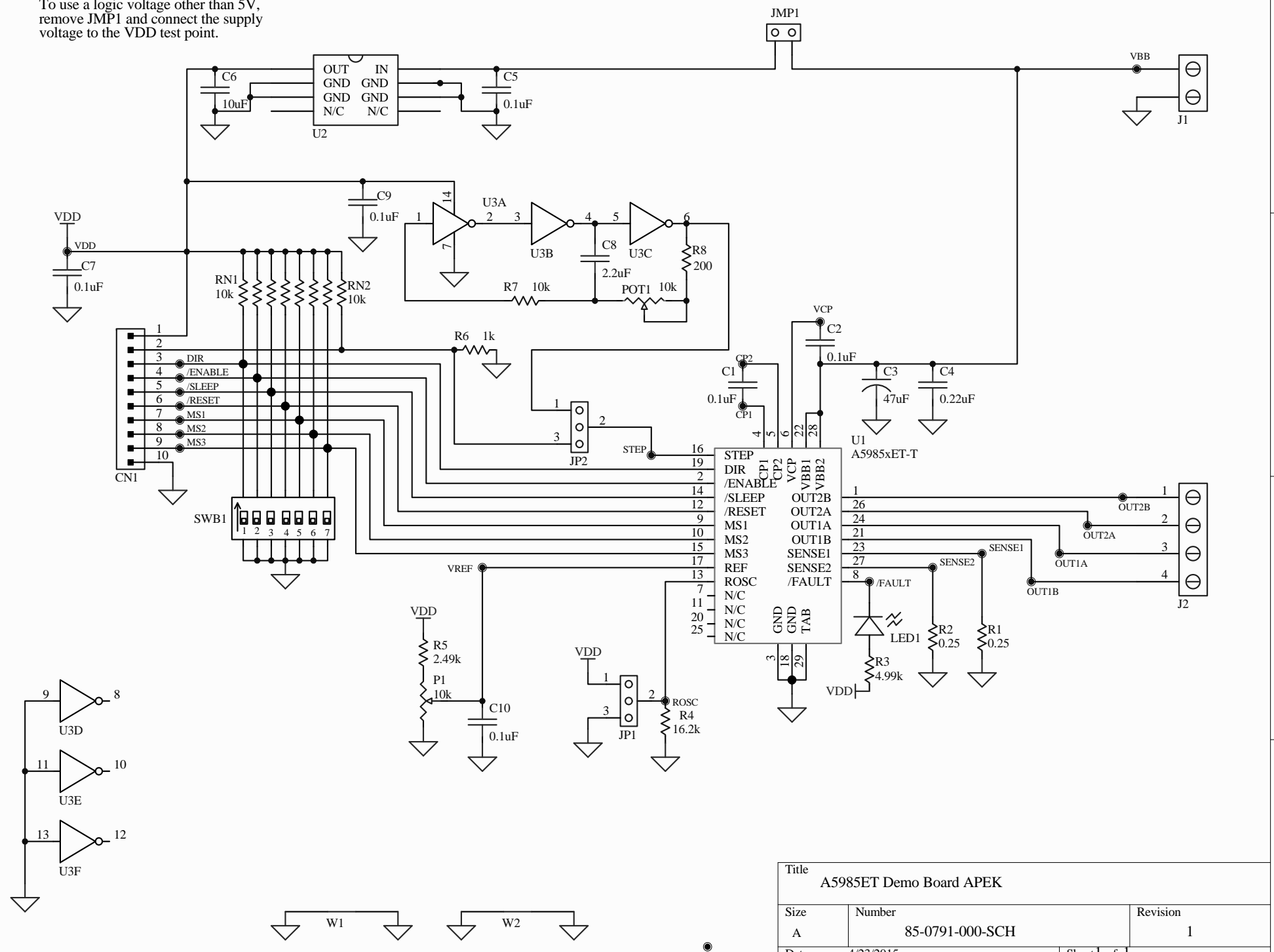


To use a logic voltage other than 5V,
remove JMP1 and connect the supply
voltage to the VDD test point.



Title		
A5985ET Demo Board APEK		
Size	Number	Revision
A	85-0791-000-SCH	1
Date:	4/23/2015	Sheet 1 of 1
File:	C:\altium\..\A5985ETRev1.SchDoc	Drawn By: Bob Pickett Sr.



APEK,BOARD,DEMO,A5985ET

85-0791-000-BOM Rev. 1
 All Devices MUST be ROHS Compliant
 Page 1 of 1
 Bill of Materials 6/17/2015

Item	Quantity	Designator	value	Description	PartType	Footprint
1	22	/ENABLE, /FAULT, /RESET, /SLEEP, CP1,		Large Test Point	Keystone Electronics 5010; Digikey 5010K-ND	PAD 57 125 TP HB
2	5	C1, C2, C7, C9, C10	0.1uF	25V Capacitor	TDK C2012X7R1E104K; Digikey 445-1351-1-ND	0805
3	1	C3	47uF	50V Capacitor	Chemi-Con EMZA500ADA470MF80G; Digikey 565-2568-1-ND	UCC F61 Cap
4	1	C4	0.22uF	50V Capacitor	Murata GCM21BR71H224KA37L; Digikey 490-4970-1-ND	0805
5	1	C5	0.1uF	50V Capacitor	TDK C2012X7R1H104K085AA; Digikey 445-7534-1-ND	0805
6	1	C6	10uF	25V Capacitor	Murata GRM21BR61E106KA73L; Digikey 490-5523-1-ND	0805
7	1	C8	2.2uF	16V Capacitor	TDK FK18X5R1C225K; Digikey 445-8407-ND	0.1" Cap
8	18 Pins	CN1, JMP1, JP1, JP2		Cut pins from 50-pin strip	Samtec TSW-150-07-T-S; Digikey SAM1035-50-ND	2-pos. shunt, 3-pos. shunt, 10pinUSBConn
9	4			Bumpon Foot	3M SJ-5303 (CLEAR); Digikey SJ5303-7-ND	Bumpon Foot
10	1	J1		2-Pin Screw Down Connector	On Shore Technology ED120/2DS; Digikey ED1609-ND	2-pin screw down connector
11	1	J2		4-Pin Screw Down Terminal Block	On Shore ED120/4DS; Digikey ED2227-ND	4-pin screw down connector
12	1	LED1		Red Surface-mount LED	Lite-On LTST-C150CKT; Digikey 160-1167-1-ND	1206 LED
13	1	P1	10k	1/2W Potentiometer	Bourns 3299W-103LF; Digikey 3299W-103LF-ND	Through-hole Trimpot
14				pcb	85-0791-001 Rev. 1	
15	1	POT1	10k	One Turn Thumbwheel Potentiometer	Bourns 3352T-1-103LF; Digikey 3352T-103LF-ND	Thumbwheel Potentiometer
16	2	R1, R2	0.25	1W Resistor	Vishay/Dale WSL2512R2500FEA; Digikey WSLG-.25CT-ND	2512
17	1	R3	4.99k	1/8W Resistor	Panasonic ERJ-6ENF4991V; Digikey P4.99KCCT-ND	0805
18	1	R4	16.2k	1/8W Resistor	Stackpole RMCF0805FT16K2; Digikey RMCF0805FT16K2CT-ND	0805
19	1	R5	2.49k	1/8W Resistor	Rohm MCR10EZPF2491; Digikey RHM2.49KCRCT-ND	0805
20	1	R6	1k	1/8W Resistor	Panasonic ERJ-6GEYJ102V; Digikey P1.0KACT-ND	0805
21	1	R7	10k	1/8W Resistor	Panasonic ERJ-6GEYJ103V; Digikey P10KACT-ND	0805
22	1	R8	200	1/8W Resistor	Panasonic ERJ-6GEYJ201V; Digikey P200ACT-ND	0805
23	2	RN1, RN2	10k	4 Resistor Array (isolated)	CTS 744C083103JP; Digikey 744C083103JPCT-ND	CTS 744 Series
24	1	SWB1		7-Position Through-hole Switch	CTS 208-7; Digikey CT2087-ND	CTS 208-7 Switch
25	1	U1		Microstepping Driver with Translator	A5985xET-T	28-Pin ET
26	1	U2	5V	Linear Voltage Regulator	National LM2936HVMA-5.0/NOPB; Digikey LM2936HVMA-5.0/NOPB-ND	LM2936HVMA
27	1	U3		Hex Inverter	Fairchild MM74HC04MX; Digikey MM74HC04MXCT-ND	14-Pin SO(150mil)
28	2	W1, W2		22 Gauge Buss Wire (300mils above pcb)		Scope Ground

