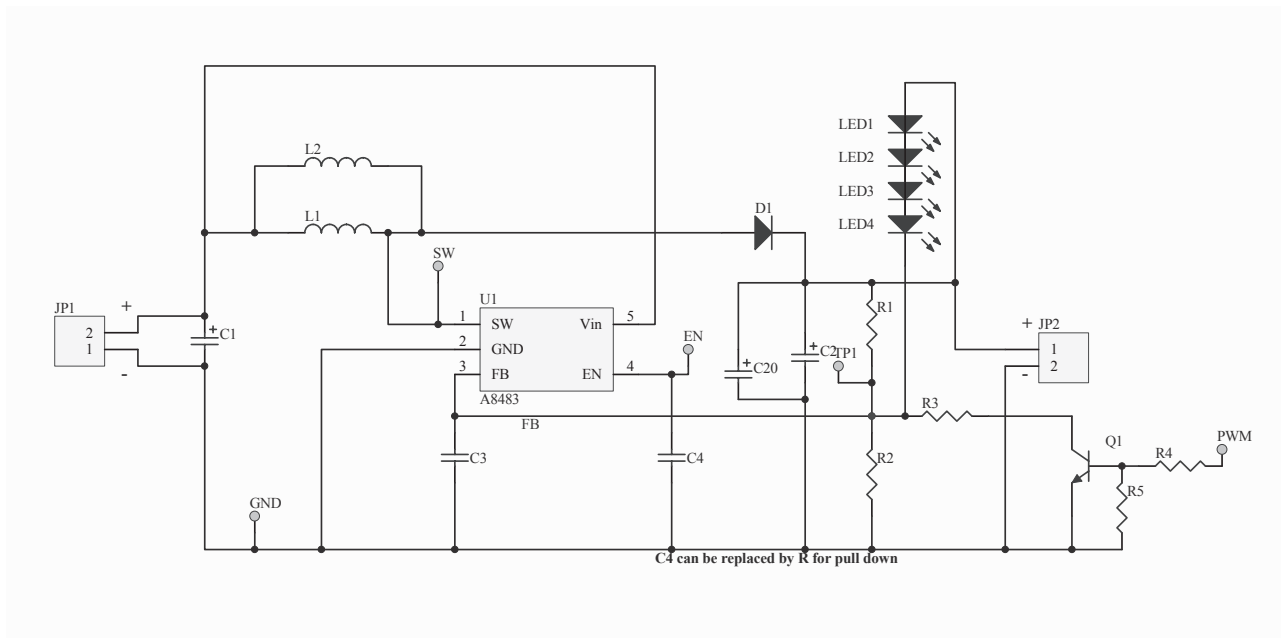
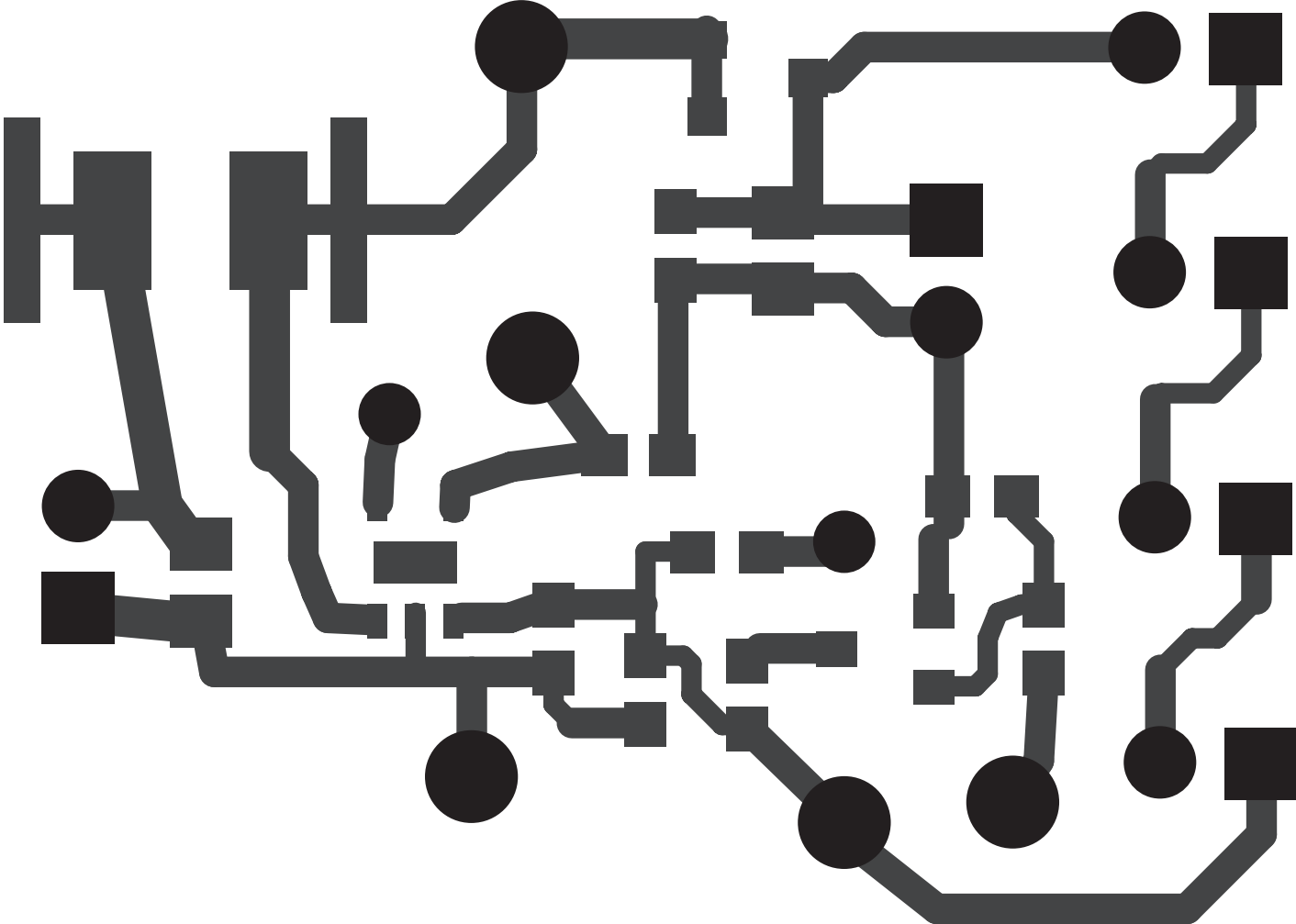


Demo Board Schematic/Layout

SCHEMATIC



LAYOUT



BILL OF MATERIALS

Ref Des	Qty	Value	Vendor	Part number	Description/notes
C1, C2	2	CAP CERAMIC 1UF 25V X5F	Digikey	PCC2319CT-ND	
D1	1	BAT54LT1, 30V, 200mA Schott	Digikey	BAT54LT1OSCT-ND	
EN	1	TEST POINT PC MINI .040"D	Digikey	5001K-ND	Test point
GND	1	TEST POINT PC MINI .040"D	Digikey	5001K-ND	Test point
JP1, JP2	2	CONN HEADER 36POS .100	Digikey	WM6436-ND	Connector, price for 36 pins
L1	1		Toko	DE2812C, 10uH inductor	Samples
R2, R (IN PLACE OF C4)	2	RES 39.0K OHM 1/10W 1% C	Digikey	311-39.0KHCT-ND	
R1	1	RES 820K OHM 1/10W 1% 0	Digikey	311-820KHCT-ND	
U1	1		Allegro	A8483	MLP3x3 5pin

Revision History

Number	Date	Description
–	November 15, 2016	Initial release

Copyright ©2016, Allegro MicroSystems, LLC

Allegro MicroSystems, LLC reserves the right to make, from time to time, such departures from the detail specifications as may be required to permit improvements in the performance, reliability, or manufacturability of its products. Before placing an order, the user is cautioned to verify that the information being relied upon is current.

Allegro's products are not to be used in any devices or systems, including but not limited to life support devices or systems, in which a failure of Allegro's product can reasonably be expected to cause bodily harm.

The information included herein is believed to be accurate and reliable. However, Allegro MicroSystems, LLC assumes no responsibility for its use; nor for any infringement of patents or other rights of third parties which may result from its use.

For the latest version of this document, visit our website:

www.allegromicro.com

